

Wire Management Products

Cord and Cable Reels

Industrial Power Cord Reels

HUBBELL

Features

- Durable, Corrosion Resistant Cast Aluminum Construction
- UL Type 1
- Multi-Position Guide Arm can be mounted in two different positions
- Positive Latch mechanism automatically maintains desired cord length
- Ratchet Lock can be disengaged in field for constant tension applications

Ordering Information

| Description | UPC Number | Catalog Number |
|---|--------------|----------------|
| Yellow Industrial Reel, UL Type 1, 45 Ft , #10/3 SJO, 30 A, 250 VAC | 783585585123 | HBLI45103Y |

Listings

cULus Listed

Specifications

| | |
|--------------------|---------------|
| Spool | Aluminum |
| Guide Frame | Thermoplastic |
| Cord | Copper |
| Internal Terminals | Copper Alloy |
| Ball Stopper | Thermoplastic |
| Fitting | Aluminum |

Performance

Amperage

30 A

Max. Working Voltage

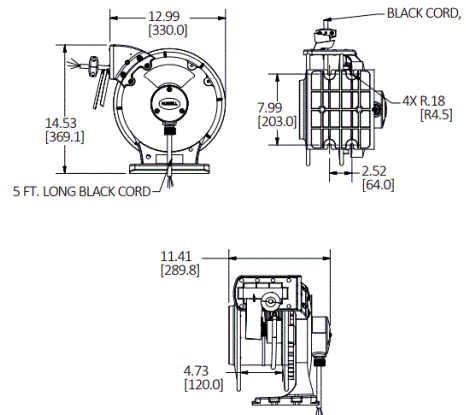
250V AC

Moisture Resistance

Dry, Indoor, Non-Hazardous Locations - UL Type 1

Number of Wires

3-Wire



Related Products

| | |
|------------------|-----------|
| Pivot Base | HBLI340PB |
| Mounting Bracket | HBLIMB |
| Ball Stop | HBLI14BS |

Online Resources

Customer Drawing
Customer Sales Drawings
eCatalog
Installation/Instruction Manual

Dimensions in Inches (mm)

Hubbell Wiring Device-Kellems • Hubbell Incorporated (Delaware) • 40 Waterview Drive • Shelton, CT 06484

Phone (800) 288-6000 • Fax (800) 255-1031 • Specifications subject to change without notice.

