

Floor Boxes
SystemOne 4" Round Recessed Floor Box Cover
Concrete Floor Box Covers

HUBBELL

Features

- 0.15" flange thickness complies with ADA requirements
- 180 degree cover opening to lay flat and reduce tripping hazards
- Durable plated finish
- UL 514A listed and meet UL Scrubwater requirements



Ordering Information

Description	Device Color	UPC Number	Catalog Number
4" Recessd Cover	Satin Nickel	783585544793	CFBS1R4CVRNKL

Listings

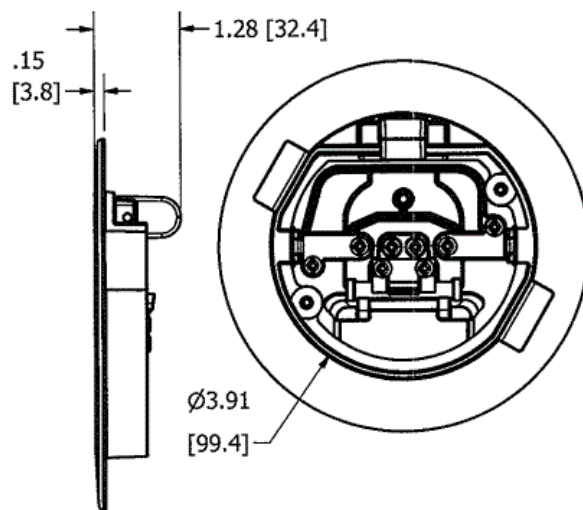
UL 514A listed and meet UL Scrubwater requirements
ADA complinat flange

Specifications

Cover Flange	Aluminum
Cover	Aluminum
Access Door	Aluminum
Mounting Hardware	Zinc Plated Steel

Performance

Performance	
Cover Load Rating	1000 lbs. for a static load applied through a 3 inch mandrel



Online Resources

Customer Use Drawing
eCatalog
Installation Instructions

Dimensions in Inches (mm)

Hubbell Wiring Device-Kellems • Hubbell Incorporated (Delaware) • 40 Waterview Drive • Shelton, CT 06484

Phone (800) 288-6000 • Fax (800) 255-1031 • Specifications subject to change without notice.

