



## DC Over Current Monitor

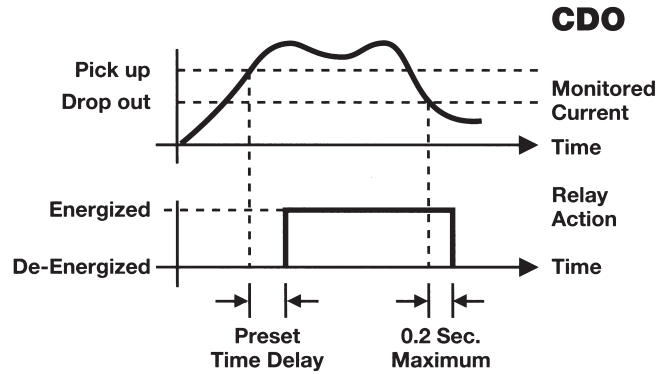
### SPECIFICATIONS

<b>CONTROL VOLTAGE</b>	120 VAC, 50/60 Hz	
<b>TRIP POINTS</b>	Over Current	
	Pick-up	See order information
	Drop-out	5% below Pick-up
<b>OUTPUT</b>	SPDT, 10 Amps @ 240 VAC Resistive	
<b>HYSTERESIS</b>	5%	
<b>RESPONSE TIME</b>	Operate	0.2 to 10 SEC, Adjustable
	Release	0.2 SEC.
<b>INDICATORS</b>	Trip (Red)	Glows On Over Current
	Relay (Green)	Glows when Relay is energized
<b>RESET</b>	Automatic	
<b>TEMPERATURE RATING</b>	Operate	32° to 131°F (0° to +55°C)
	Storage	-49° to 185°F (-45° to +85°C)
<b>ENCLOSURE</b>	Lexan Surface Mounted; #8-32 Screw Terminals	
<b>WEIGHT</b>	17 oz.	

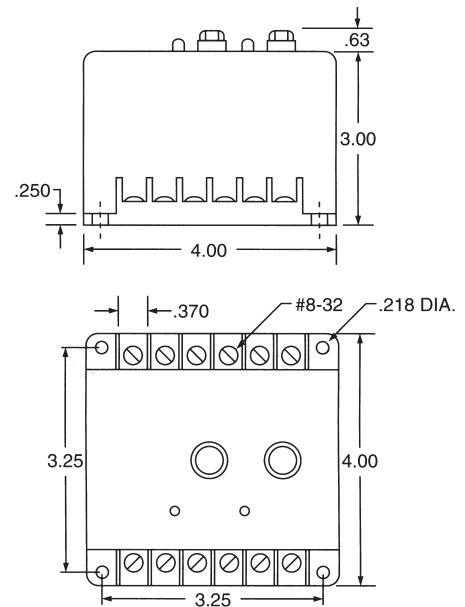
### MODEL NUMBER

<b>MODEL NUMBER</b>	CDO	120	A	L	E	
<b>CONTROL VOLTAGE</b>	120 Volts					
<b>TYPE OF VOLTAGE</b>	AC		A			
<b>ADJUSTMENT</b>	Lockshaft			L		
<b>FEATURES</b>						
	0.2 to 1 amp adj.					1
	0.5 to 2.5 amps adj.					2.5
	1.0 to 5.0 amps adj.					5
	2.0 to 10 amps adj.					10
	4.0 to 20 amps adj.					20

The **CDO Series** is used to detect **OVER CURRENT** conditions. The internal relay energizes (Pick-up) when the monitored current exceeds the preset trip point for longer than the adjustable time delay. The delay is incorporated to prevent nuisance tripping caused by inrush currents. The CDO has an automatic reset feature. The internal relay de-energizes (Drop-out) when the current drops 5% below the preset trip for longer than 0.2 seconds.



### DIMENSIONS (INCHES)



### WIRING

