

NOTES:

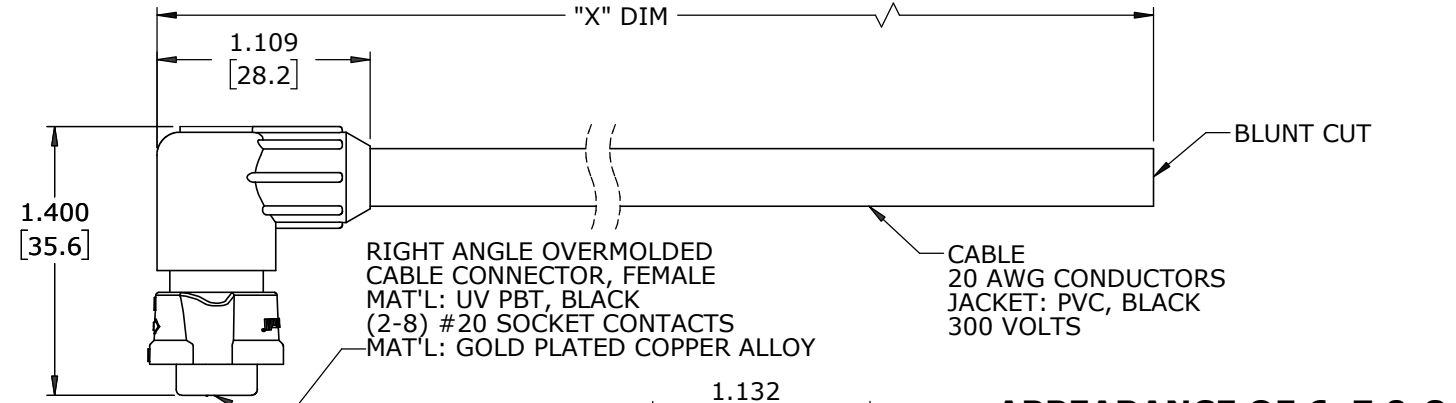
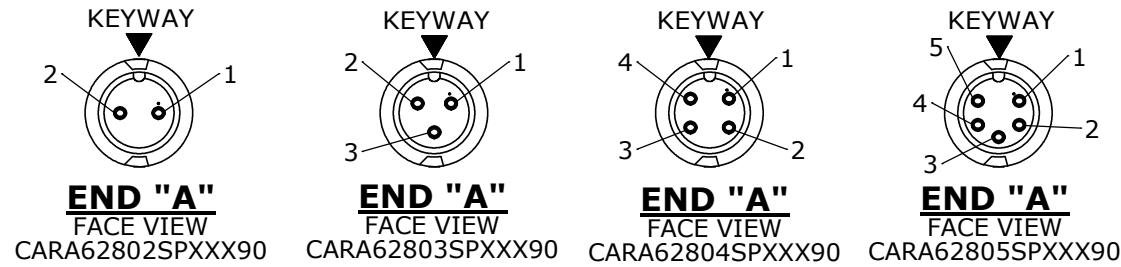
1. FINISHED PRODUCT TO BE COILED
2. OVERMOLD BOOT MATERIAL: UV PBT, BLACK
3. ELECTRICAL TEST: 100% CONTINUITY
4. ALL DIMENSIONS ARE REFERENCE EXCEPT THOSE WITH A TOLERANCE

ASS'Y P/N	NO. OF CONTACTS
CARA62802SPXXX90	2
CARA62803SPXXX90	3
CARA62804SPXXX90	4
CARA62805SPXXX90	5
CARA62806SPXXX90	6
CARA62807SPXXX90	7
CARA62808SPXXX90	8
CARA6280XSPXXX90	

ASS'Y P/N	"X" DIM
CARA6280XSP03990	3 FT. 3 1/2 IN. ±2 IN. [1M ±50.8mm]
CARA6280XSP07990	6 FT. 7 IN. ±2 IN. [2M ±50.8mm]
CARA6280XSP19790	16 FT. 5 IN. ±4 IN. [5M ±101.6mm]
CARA6280XSP39490	32 FT. 9 3/4 IN. ±8 IN. [10M ±203.2mm]
CARA6280XSPXXX90	

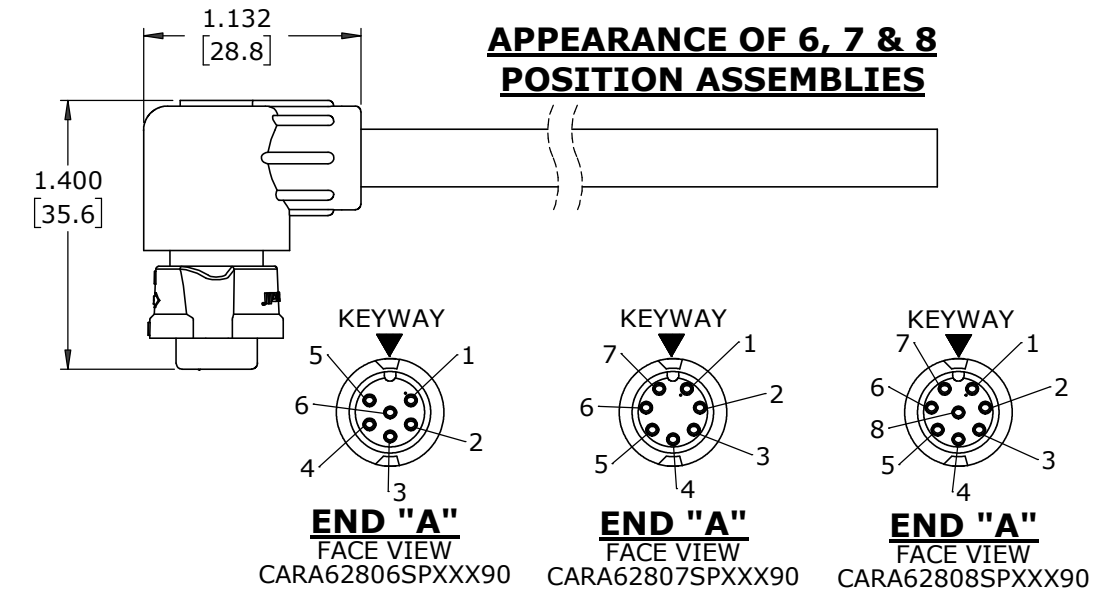
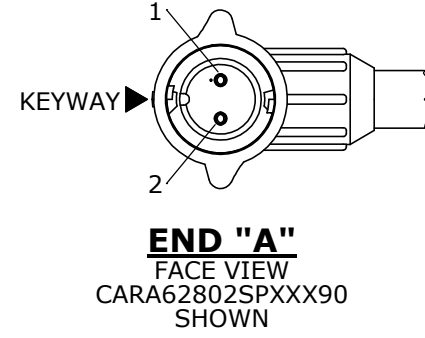
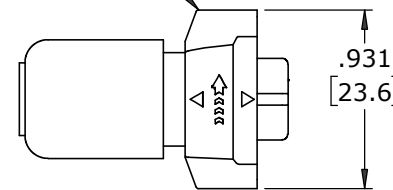
CABLE LENGTH IN "INCHES"  
NO. OF CONTACTS

CABLE LENGTH IN "INCHES"  
NO. OF CONTACTS



COUPLING RING  
MAT'L: UV PBT, BLACK  
SPRING  
MAT'L: STAINLESS STEEL

O-RING  
MAT'L: SILICONE, RED



CUSTOMER PRINT

PART NUMBER: CARA6280XSPXXX90

ASSY P/N	CABLE	COLOR CODE END "A"
CARA62802SPXXX90	2/20 AWG O.D. 0.215 REF	COLOR CODE
		POS. 1   POS. 2
CARA62803SPXXX90	3/20 AWG O.D. 0.220 REF	WIRE COLOR CODE
		POS. 1   POS. 2   POS. 3
		BLK   WHT   GRN
CARA62804SPXXX90	4/20 AWG O.D. 0.235 REF	WIRE COLOR CODE
		POS. 1   POS. 2   POS. 3   POS. 4
		BLK   WHT   GRN   RED
CARA62805SPXXX90	5/20 AWG O.D. 0.255 REF	WIRE COLOR CODE
		POS. 1   POS. 2   POS. 3   POS. 4   POS. 5
		BLK   WHT   GRN   RED   BLU
CARA62806SPXXX90	6/20 AWG O.D. 0.275 REF	WIRE COLOR CODE
		POS. 1   POS. 2   POS. 3   POS. 4   POS. 5   POS. 6
		BLK   WHT   GRN   RED   BLU   VIO
CARA62807SPXXX90	8/20 AWG O.D. 0.300 REF	WIRE COLOR CODE
		POS. 1   POS. 2   POS. 3   POS. 4   POS. 5   POS. 6   POS. 7
		BLK   WHT   GRN   RED   BLU   VIO   GRY
CARA62808SPXXX90	8/20 AWG O.D. 0.300 REF	WIRE COLOR CODE
		POS. 1   POS. 2   POS. 3   POS. 4   POS. 5   POS. 6   POS. 7   POS. 8
		BLK   WHT   GRN   RED   BLU   VIO   GRY   BRN

DIMENSIONS IN BRACKETS [ ] ARE IN MILLIMETERS UNLESS INDICATED

**CUSTOMER APPROVAL**

THIS DOCUMENT CONTAINS CONFIDENTIAL INFORMATION PROPRIETARY TO CONXALL CORPORATION. ANY REPRODUCTION, DISCLOSURE, OR USE OF THIS DOCUMENT /INFORMATION IS EXPRESSLY PROHIBITED UNLESS AUTHORIZED IN WRITING BY CONXALL CORPORATION.

APPROVED BY: \_\_\_\_\_

DATE: \_\_\_\_\_

**RoHS COMPLIANT**

A	MA	06-04-21	DRAWING CREATED PER DOR 21-109359DS
REV.	INIT.	DATE	DESCRIPTION
	MA	06-04-21	ORIG. DRAWN BY: DATE: MA 06-04-21
ALL INFORMATION ILLUSTRATED IS THE PROPERTY OF "CONXALL CORPORATION". UNAUTHORIZED DUPLICATION OR DISTRIBUTION OF THIS DOCUMENT IS PROHIBITED.			<p>601 E. WILDWOOD VILLA PARK, IL 60181</p>
ALL UNITS ARE IN FEET, INCHES, FRACTIONS OF INCHES AND DECIMALS.			
APPROVED BY:		TITLE: CABLE ASSEMBLY (2-8) #20 SOCKET CONTACTS INSTA-CLICK™ MINI-CON-X STANDARD PRODUCT	
SCALE	SIZE	SHEET	CUSTOMER:
NTS	B	1 OF 1	CARA6280XSPXXX90
FILE:	DIRECTORY:	PART NUMBER:	REV
CARA6280XSPXXX90	SLW	CARA6280XSPXXX90	A