

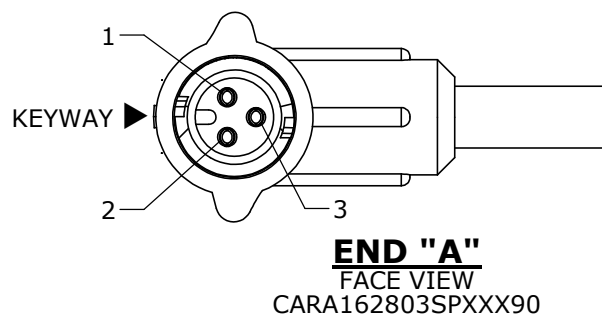
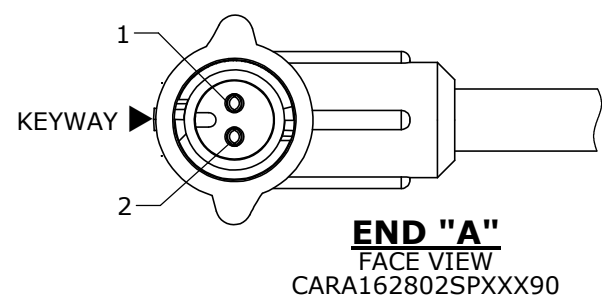
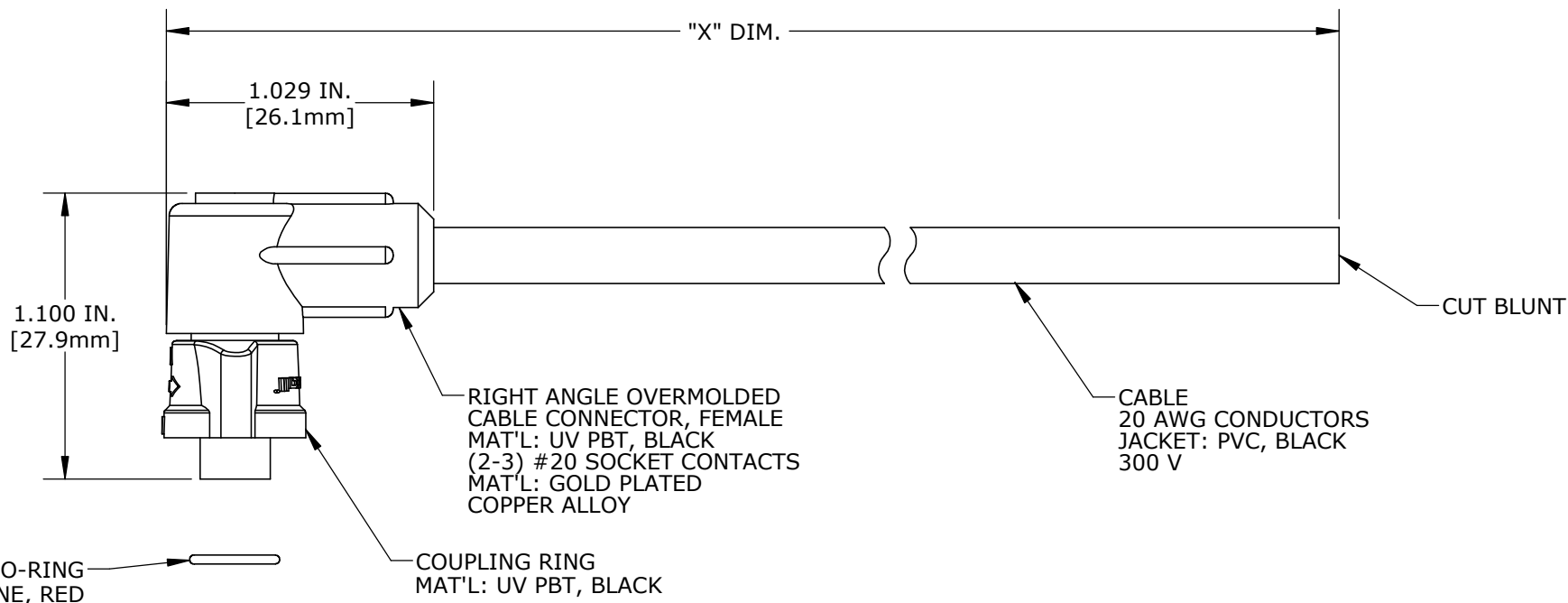
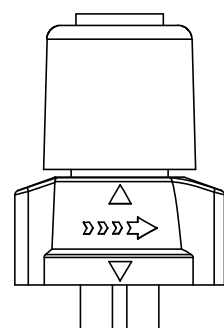
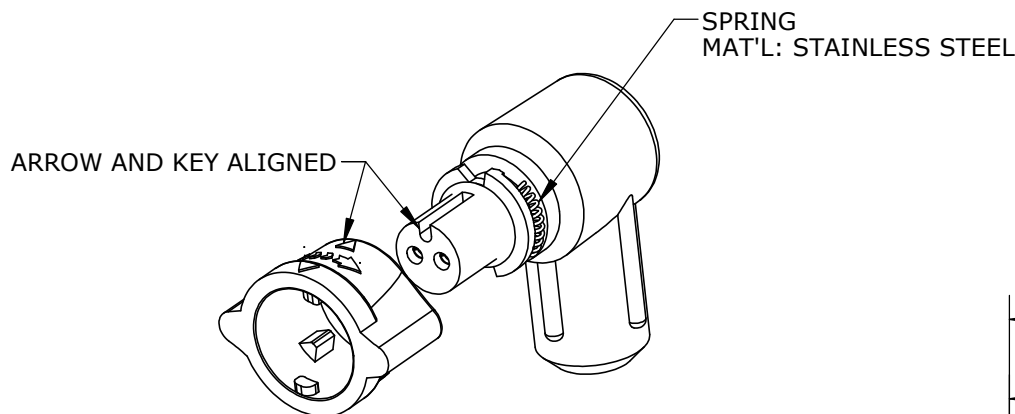
CUSTOMER PRINT

PART NUMBER: CARA16280XSPXXX90

- NOTES:
1. FINISHED CABLE ASSEMBLY TO BE COILED
  2. OVERMOLD BOOT MATERIAL: UV PBT, BLACK
  3. ELECTRICAL TEST: 100% CONTINUITY
  4. ALL DIMENSIONS ARE REFERENCE ONLY EXCEPT WHEN NOTED WITH TOLERANCE

ASS'Y P/N	NO. OF POS.
CARA162802SPXXX90	2
CARA162803SPXXX90	3
CARA16280XSPXXX90	

ASS'Y P/N	"X" DIM.
CARA162802SP03990	3 FT. 3 1/2 IN. ± 2 IN. [1M ±50.8mm]
CARA162803SP03990	
CARA162802SP07990	6 FT. 7 IN. ± 2 IN. [2M ±50.8mm]
CARA162803SP07990	
CARA162802SP19790	16 FT. 5 IN. ± 4 IN. [5M ±101.6mm]
CARA162803SP19790	
CARA162802SP39490	32 FT. 9 3/4 IN. ± 8 IN. [10M ±203.2mm]
CARA162803SP39490	
CARA16280XSPXXX90	



ASSY P/N	CABLE	COLOR CODE END "A"		
CARA162802SPXXX90	2/20 AWG O.D. 0.215 REF	COLOR CODE		
		POS. 1	POS. 2	
		BLK	WHT	
CARA162803SPXXX90	3/20 AWG O.D. 0.220 REF	WIRE COLOR CODE		
		POS. 1	POS. 2	POS. 3
		BLK	WHT	GRN

**CUSTOMER APPROVAL**

THIS DOCUMENT CONTAINS CONFIDENTIAL INFORMATION PROPRIETARY TO CONXALL CORPORATION. ANY REPRODUCTION, DISCLOSURE, OR USE OF THIS DOCUMENT /INFORMATION IS EXPRESSLY PROHIBITED UNLESS AUTHORIZED IN WRITING BY CONXALL CORPORATION.

APPROVED BY: \_\_\_\_\_

DATE: \_\_\_\_\_

REV.	INIT.	DATE	DESCRIPTION
A	AN	06-04-21	DRAWING CREATED PER DOR 21-109360DS

ALL INFORMATION ILLUSTRATED IS THE PROPERTY OF "CONXALL CORPORATION". UNAUTHORIZED DUPLICATION OR DISTRIBUTION OF THIS DOCUMENT IS PROHIBITED.	ORIG. DRAWN BY: AN DATE: 06-04-21	<p>601 E. WILDWOOD VILLA PARK, IL 60181</p>
ALL UNITS ARE IN FEET, INCHES, FRACTION OF INCHES AND DECIMALS.	CHECKED BY:	
	APPROVED BY:	TITLE: CABLE ASSEMBLY (2-3) #20 SOCKET CONTACTS INSTA-CLICK™ MICRO-CON-X STANDARD PRODUCT
	SCALE: NTS SIZE: B SHEET: 1 OF 1	CUSTOMER:
	FILE: CARA16280XSPXXX90 DIRECTORY: SLW	PART NUMBER: CARA16280XSPXXX90
		REV A

DIMENSIONS IN BRACKETS [ ] ARE METRIC

**RoHS COMPLIANT**