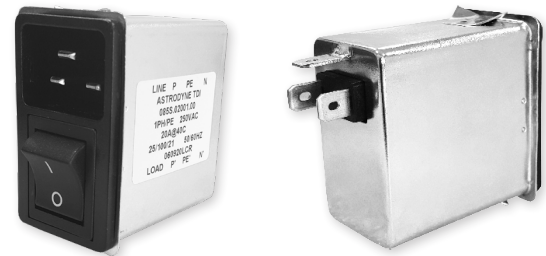


085S/085M

SNAP-IN SINGLE STAGE FILTERED POWER ENTRY MODULE (GENERAL PURPOSE & MEDICAL) WITH SWITCH

FEATURES

- » Rated currents include **1A, 3A, 6A, 10A, 15A and 20A**
- » ON-OFF Switch
- » Single Stage
- » General Purpose & Low Leakage (M)edical options
- » Agency Approvals *UL and IEC 60939, CSA C22.2 8-13*
- » Y-cap value can be adjusted



SPECIFICATIONS

OPERATING FREQUENCY	50/60Hz
IEC INLET	C14:1-15A, C20:16/20A
MAX. OPERATING VOLTAGE	250VAC +10%
AMBIENT TEMPERATURE	-25 TO 40°C
CLIMATIC CATEGORY	25/100/21
TERMINALS (-T)	0.25" TABS
TYP. WEIGHT, LBS (KG)	0.30 (0.13)

TYPICAL LEAKAGE CURRENT 085S

@ 250 VAC 50 Hz	0 - 0.42 mA Max.
@ 120 VAC 60 Hz	0 - 0.23 mA Max.

TYPICAL LEAKAGE CURRENT 085M

@ 250 VAC 50 Hz	0 - 10uA Max.
@ 120 VAC 60 Hz	0 - 5uA Max.

HIPOT RATINGS

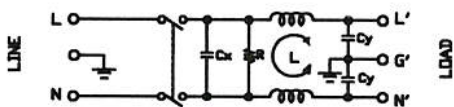
LINE TO GROUND	2250 VDC
----------------	----------

TYPICAL APPLICATIONS

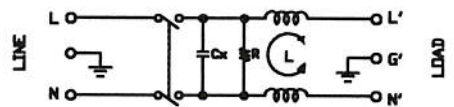
- ✓ Household appliances and equipment
- ✓ Medical equipment
- ✓ Portable electrical and electronic equipment
- ✓ Test and measurement/lab equipment
- ✓ Office automation equipment

ELECTRICAL SCHEMATIC

085S



085SM



HOW TO ORDER

085SM.0AA00.00



NOTE: USE ANY COMBINATOR OF M AND AA

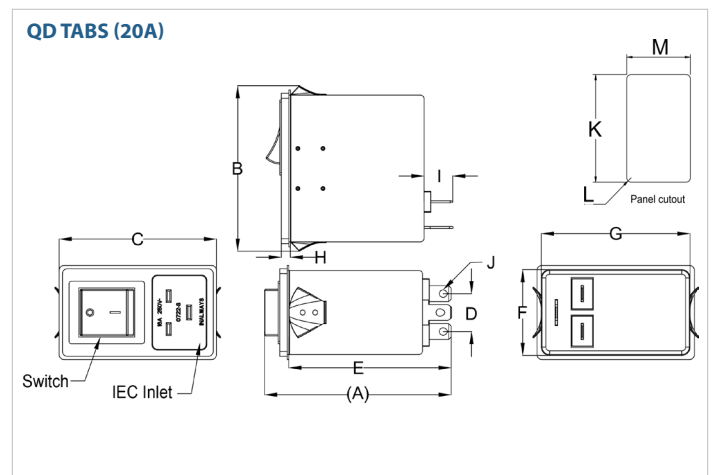
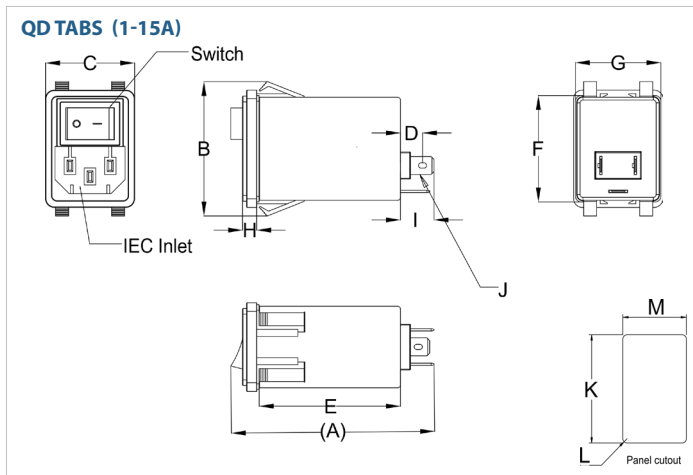
E.G. **085S.00100.00** (1A GENERAL PURPOSE VERSION) | **085SM.00301.00** (3A LOW LEAKAGE MEDICAL VERSION)

085S/085M

SNAP-IN SINGLE STAGE FILTERED POWER ENTRY MODULE (GENERAL PURPOSE & MEDICAL) WITH SWITCH

MODEL NO.	RATED CURRENT, A @ 40° C	TERMINAL OPTIONS	MAX. DIMENSIONS" (MM)		
		(QD)OUTPUT	WIDTH	(LENGTH)	HEIGHT
085S.00100.00	1	✓	1.22" (31)	2.79" (70.8)	1.85" (47)
085SM.00100.00	1	✓	1.22" (31)	2.79" (70.8)	1.85" (47)
085S.00300.00	3	✓	1.22" (31)	2.79" (70.8)	1.85" (47)
085SM.00300.00	3	✓	1.22" (31)	2.79" (70.8)	1.85" (47)
085S.00600.00	6	✓	1.22" (31)	2.79" (70.8)	1.85" (47)
085SM.00600.00	6	✓	1.22" (31)	2.79" (70.8)	1.85" (47)
085S.01000.00	10	✓	1.22" (31)	2.79" (70.8)	1.85" (47)
085SM.01000.00	10	✓	1.22" (31)	2.79" (70.8)	1.85" (47)
085S.01500.00	15	✓	1.22" (31)	2.79" (70.8)	1.85" (47)
085SM.01500.00	15	✓	1.22" (31)	2.79" (70.8)	1.85" (47)
085S.02000.00	20	✓	2.46" (62.6)	2.93" (74.3)	2.60" (66.02)
085SM.02000.00	20	✓	2.46" (62.6)	2.93" (74.3)	2.60" (66.02)

085S(M) MECHANICAL OUTLINES (MM)



SERIES	(A)	B	C	D	E	F	G	H	I	J	K	L	M
QD TABS (1-15A)	2.79" (70.8)	1.85" (47)	1.22" (31)	0.30" (7.7)	1.94" (49.2)	1.42" (37.2)	1.17" (29.7)	0.19" (4.9)	0.46" (11.7)	0.25" 6.3*0.8 Terminal	1.53" (38.8)	(4*R2)	1.14" (29)
QD TABS (20A)	2.93" (74.3)	2.60" (66.02)	2.46" (62.6)	0.60" (15.13)	2.54" (64.6)	1.35" (34.2)	2.33" (59.2)	0.14" (3.6)	0.45" (11.4)	0.25" 6.3*0.8 Terminal	2.35" (59.6)	(4*R2)	1.34" (34.1)

TYPICAL TOLERANCE: +/-0.02" (0.50MM)

085S/085M

SNAP-IN SINGLE STAGE FILTERED POWER ENTRY MODULE (GENERAL PURPOSE & MEDICAL) WITH SWITCH

TYPICAL INSERTION LOSS, dB (50/50 Ohm)

085S INSERTION LOSS

Amps	Freq (MHz)	0.15	0.5	1	10	30
1	CM (dB)	41	55.01	52.28	48.94	38.21
	DM (dB)	19.96	34.43	47.43	67.85	60.64
3	CM (dB)	33.45	48.14	51.45	54.9	34.28
	DM (dB)	19.64	30.2	39.61	64.75	57.16
6	CM (dB)	23.07	35.8	42.96	59.8	48.4
	DM (dB)	19.49	29.72	33.55	59.96	42.37
10	CM (dB)	13.09	25.7	32.94	52.34	47
	DM (dB)	19.7	30.55	36.11	72.05	48.87
15	CM (dB)	6.7	19.31	25.43	44.97	40.03
	DM (dB)	19.67	30.63	36.57	67.16	47.75
20	CM (dB)	12.09	20.2	25.95	32.19	14.64
	DM (dB)	19.54	31.57	42.1	46.63	42.1

085SM INSERTION LOSS

Amps	Freq (MHz)	0.15	0.5	1	10	30
1	CM (dB)	40.26	49.79	42.42	19.57	2.9
	DM (dB)	20.56	36.01	46.08	69.8	46.1
3	CM (dB)	32.6	43	41.92	19.19	1.24
	DM (dB)	19.91	32.73	41.56	53.93	47.94
6	CM (dB)	22.23	30.49	32.96	24.17	13.08
	DM (dB)	19.54	30.94	37.81	46.69	43.39
10	CM (dB)	11.98	20.1	22.86	17.75	11.2
	DM (dB)	19.65	30.82	37.26	38.67	33.11
15	CM (dB)	6.56	13.91	16.43	11.72	5.03
	DM (dB)	19.57	30.72	37.15	37.22	31.16
20	CM (dB)	10.25	13.85	15.15	15.75	9.01
	DM (dB)	19.55	30.96	38.15	36.15	35.27