

3C

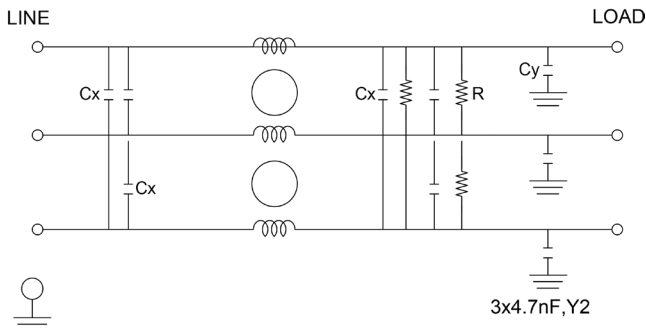
3 PHASE SCR LINE FILTER

FEATURES

- » Rated currents include **20A, 40A, 60A and 100A**
- » Dual Stage Line Filter
- » Available with **S** (studs) option
- » Flange Mount Available
- » Agency Approved to UL E78081, CSA LR53652 and TUV
- » Y-cap value can be adjusted to fit specification

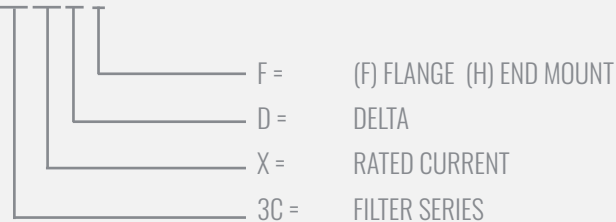
ELECTRICAL SCHEMATIC

DELTA - SUFFIX "D"

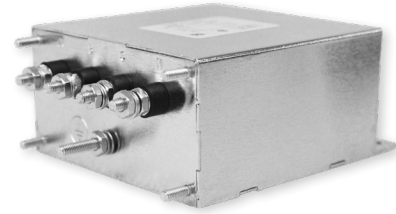


HOW TO ORDER

3C40D F



NOTE: USE ANY COMBINATION OF -X (AMPS) WITH ANY -Y RATINGS
E.G. **3C40D F** (40 AMPS, DELTA, FLANGE MOUNT)



SPECIFICATIONS

OPERATING FREQUENCY 50/60Hz
MAX. OPERATING VOLTAGE 440VAC +10%
TERMINALS (-T) STUDS 10-32(15-45A)

TYP. WEIGHT, LBS (KG) 2.90-25 (1.31-11.33)

LEAKAGE CURRENT

@ 480 VAC 60 Hz 18.0 mA Max.

HIPOT RATINGS

LINE TO GROUND 2500 VDC - 3200 VDC

TYPICAL APPLICATIONS

- ✓ High Power Rectifiers
- ✓ Uninterrupted Power Supplies
- ✓ Processing Equipment
- ✓ Alternative Energy (EV Charging & Solar)
- ✓ Factory Machinery

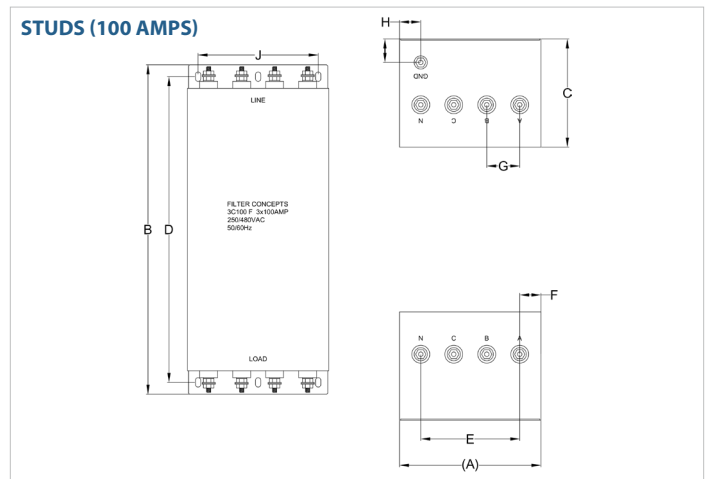
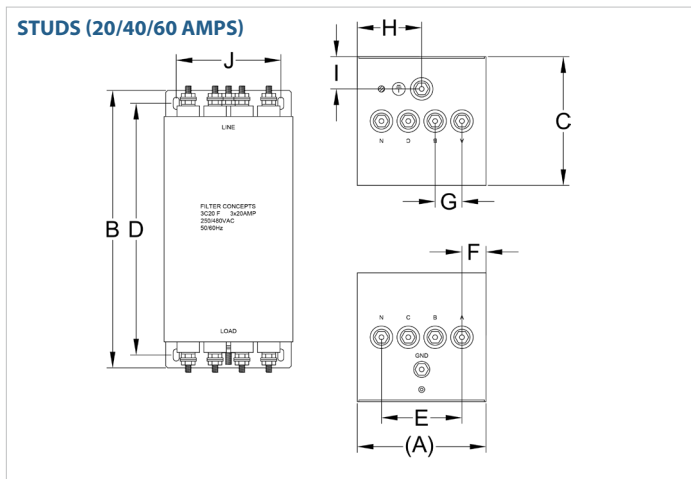
3C

3 PHASE SCR LINE FILTER

MODEL NO.	RATED CURRENT (A) @ 40° C	Y-CAP, nF	LEAKAGE CURRENT, mA @ 250V AC, 50 Hz	TERMINAL OPTIONS		MAX. DIMENSIONS" (MM)		
				(QD)INPUT/OUTPUT	(S) INPUT/OUTPUT	WIDTH	(LENGTH)	HEIGHT
3C20	20	*	1.6	*	*	4.00"(102)	8.62"(219)	4.00"(102)
3C20D	20	*	1.6	*	*	4.00"(102)	8.62"(219)	4.00"(102)
3C40	40	*	2.4	*	*	5.00"(127)	13.00"(330)	4.75"(121)
3C40 F	40	4x.0047µF/4x.015µF	2.4	*	✓	5.00"(127)	13.00"(330)	4.75"(121)
3C40D	40	*	2.4	*	*	5.00"(127)	13.00"(330)	4.75"(121)
3C40D F	40	3x.0047µF/3x.015µF	2.4	*	✓	5.00"(127)	13.00"(330)	4.75"(121)
3C60	60	*	2.4	*	*	6.50"(165)	17.40"(442)	4.75"(121)
3C60D	60	*	2.4	*	*	6.50"(165)	17.40"(442)	4.75"(121)
3C100	100	*	2.4	*	*	7.50"(191)	17.50"(445)	5.75"(146)
3C100D	100	*	2.4	*	*	7.50"(191)	17.50"(445)	5.75"(146)

*Contact factory for dimensions.

3C MECHANICAL OUTLINES (MM)



SERIES	(A)	B	C	D	E	F	G	H	I	J
20 amps	4.00" (102)	8.62" (219)	4.00" (102)	7.82" (199)	2.50" (64)	0.75" (19)	0.83" (21)	2.00" (51)	1.00" (25)	3.25" (83)
40 amps	5.00" (127)	13.00" (330)	4.75" (121)	12.00" (305)	3.00" (76)	1.00" (25)	1.50" (38)	2.50" (64)	1.43" (36)	4.00" (102)
60 amps	6.50" (165)	17.40" (442)	4.75" (121)	16.00" (406)	3.36" (85)	1.56" (40)	1.13" (29)	3.25" (83)	1.43" (36)	4.25" (108)
100 amps	7.50" (191)	17.50" (445)	5.75" (146)	16.24" (412)	5.25" (133)	1.13" (29)	1.75" (44)	1.13" (29)	1.25" (32)	6.37" (162)

TYPICAL TOLERANCE: +/-0.02" (0.50MM)

3C

3 PHASE SCR LINE FILTER

TYPICAL INSERTION LOSS, dB (50/50 Ohm)

Amps	Freq (MHz)	0.15	0.5	1.0	10	30
20	CM (dB)	60	65	61	64	66
	DM (dB)	18	40	39	59	68
40	CM (dB)	43	50	61	64	66
	DM (dB)	24	50	39	59	68
60	CM (dB)	60	65	61	64	66
	DM (dB)	18	40	39	59	68
100	CM (dB)	60	65	61	64	66
	DM (dB)	18	40	39	59	68