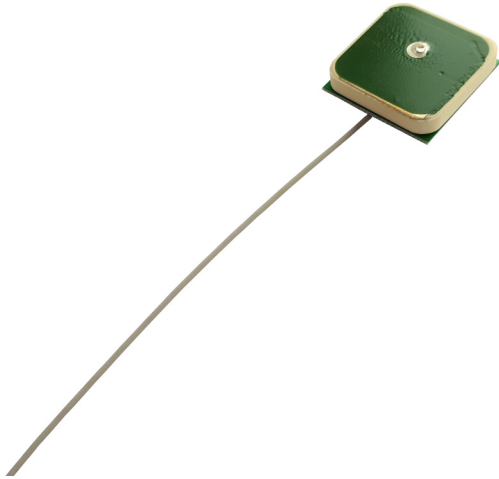




Echo 34

Embedded Ceramic Low Profile WiFi/Bluetooth Antenna



Key Features

- WiFi / Bluetooth and Zigbee Antenna
- Ceramic Package

General Description

The Echo 34 is a compact and active WiFi/ Bluetooth/Zigbee embedded low profile antenna.

This low profile ceramic patch antenna is perfect for WiFi applications designed to include embedded solutions that can still produce high levels of performance despite its small form factor.

The Echo 34 is supplied, as standard, with 100mm 1.13mm Ø coaxial cable, terminated with a UFL connector.

Custom cable lengths and alternative connector types can be supplied for volume requirements.

Additional Considerations

- Compact antenna with high levels of performance
- Ideal for embedded solutions





Echo 34

Embedded Ceramic Low Profile WiFi/Bluetooth Antenna

Electrical Specifications

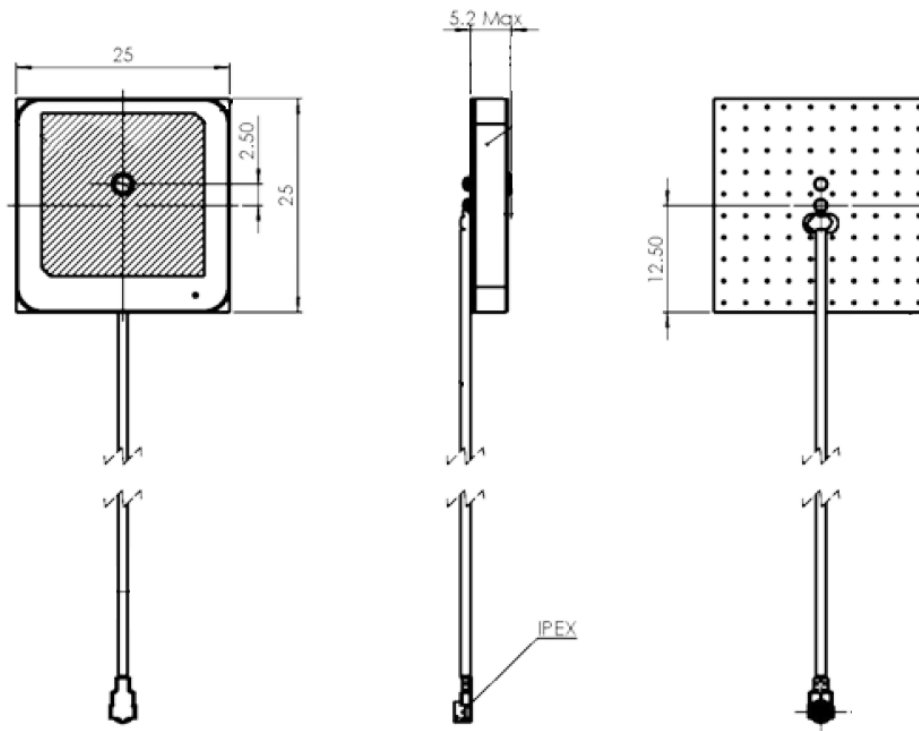
Impedance:	50 Ohm
Peak Gain:	2dBi (based on 27 x 27mm ground plane)
VSWR:	1.5:1 Max
Frequency:	2400MHz +/- 2MHz
Polarization:	RHCP

Mechanical Specifications

Dimensions:	25 x 25 x 5.2mm
Mounting:	Embedded

Environmental Specifications

Operating Temperature:	-40 - +85°C
------------------------	-------------

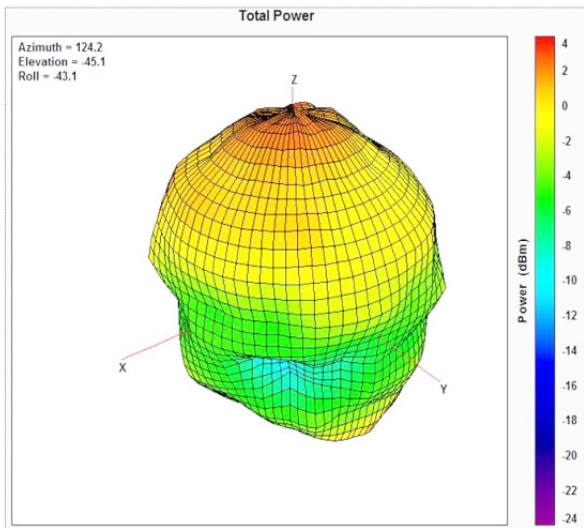




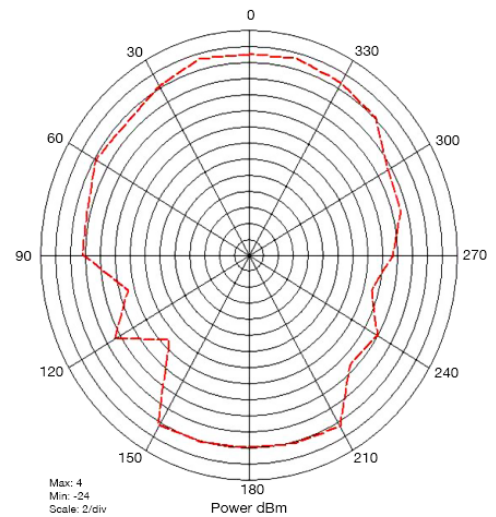
Echo 34

Embedded Ceramic Low Profile WiFi/Bluetooth Antenna

3D Radiation Pattern



Radiation Pattern



Ordering Details

Part Number	Description
ECHO34/0.1M/UFL/S/S/17	Embedded ceramic low profile WiFi/Bluetooth antenna