



Tango 12

WiFi/Bluetooth/Zigbee Dual Port MIMO Antenna

Key Features

- 2 port MIMO WiFi/Bluetooth/Zigbee
- 2400 - 2500MHz
- 4900 - 5900MHz



General Description

The Tango 12 has two Dual Band WiFi antennas within the package and is suitable for multiple applications.

The Tango 12 is particularly useful for kiosks/terminals within airports, hotels and transportation booking halls.

Supplied as standard with SMA male reverse polarity connectors and 1.5m or 2m of cable. Alternative cable lengths and connectors can be supplied for volume orders.

Additional Considerations

- Ideal for systems requiring multiple inputs/outputs
- Low profile
- 2 antenna design saves on installation and product costs

T Through	WLAN 2400	WLAN 5800	BLE Bluetooth
ZB Zigbee	WiFi 4 802.11n	WiFi 5 802.11ac	WiFi 6 802.11ax



Tango 12

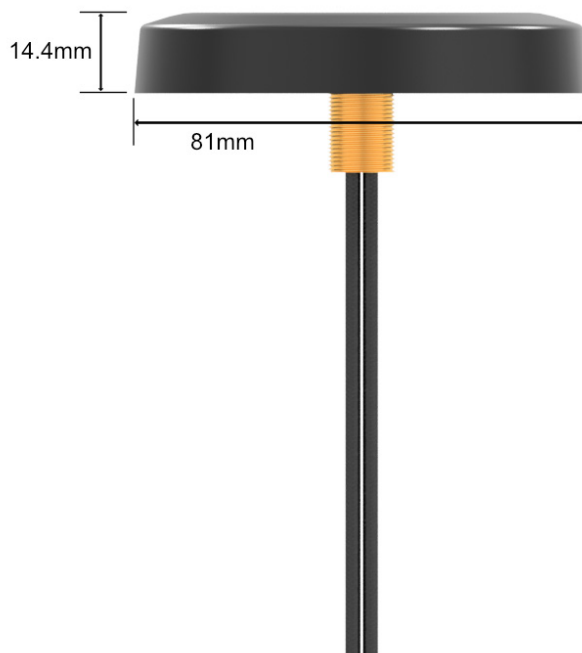
WiFi/Bluetooth/Zigbee Dual Port MIMO Antenna

Electrical Specifications

Impedance:	50 Ohm
VSWR:	≤ 2.6
Peak Gain:	2 - 3dBi
Frequency range:	Port 1 and 2 - 2400-2500 and 4900-5900MHz
Max Input Power:	60W
Polarization:	Linear

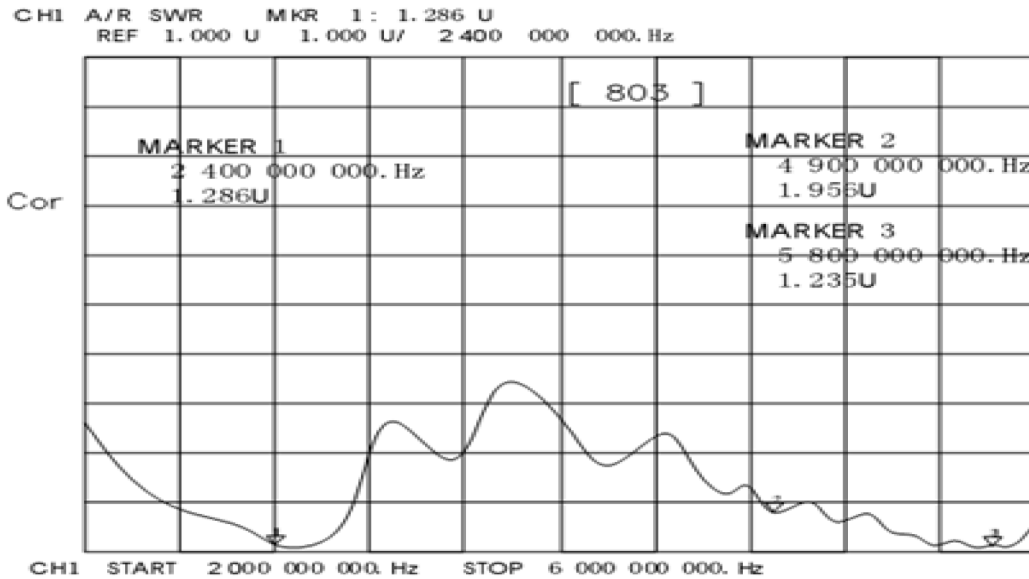
Mechanical Specifications

Dimensions:	$\varnothing 81 \times 14.4\text{mm}$
Operating Temperature:	-40 - +75°C
Storage Temperature:	-45 - +75°C
Cable:	2x RG174
Connector:	2x SMA Male RP
Mounting:	$\varnothing 12\text{mm}$ screw
Maximum Material Thickness:	10mm

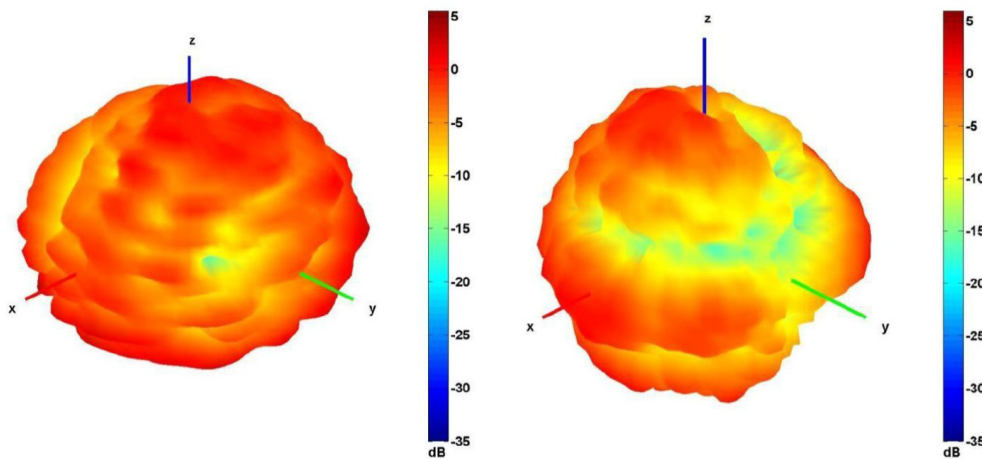




VSWR



Radiation Plots



Ordering Details

Part Number	Description
TANGO12/1.5M/SMAM/SMAM/RP/S/17	Dual Band MIMO WiFi 2.4/5GHz Through Hole Antenna 1.5M RG174 2xSMAM RP
TANGO12/2M/SMAM/SMAM/RP/S/17	Dual Band MIMO WiFi 2.4/5GHz Through Hole Antenna 2M RG174 2xSMAM RP