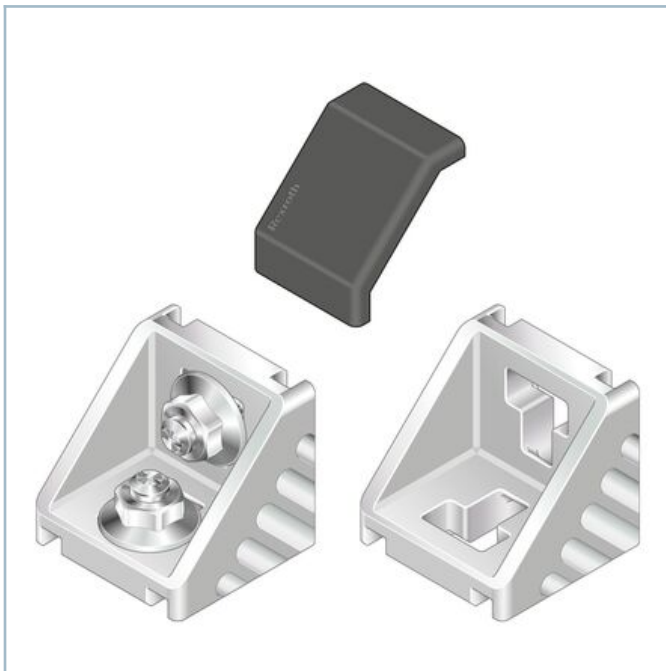
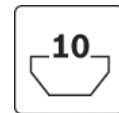


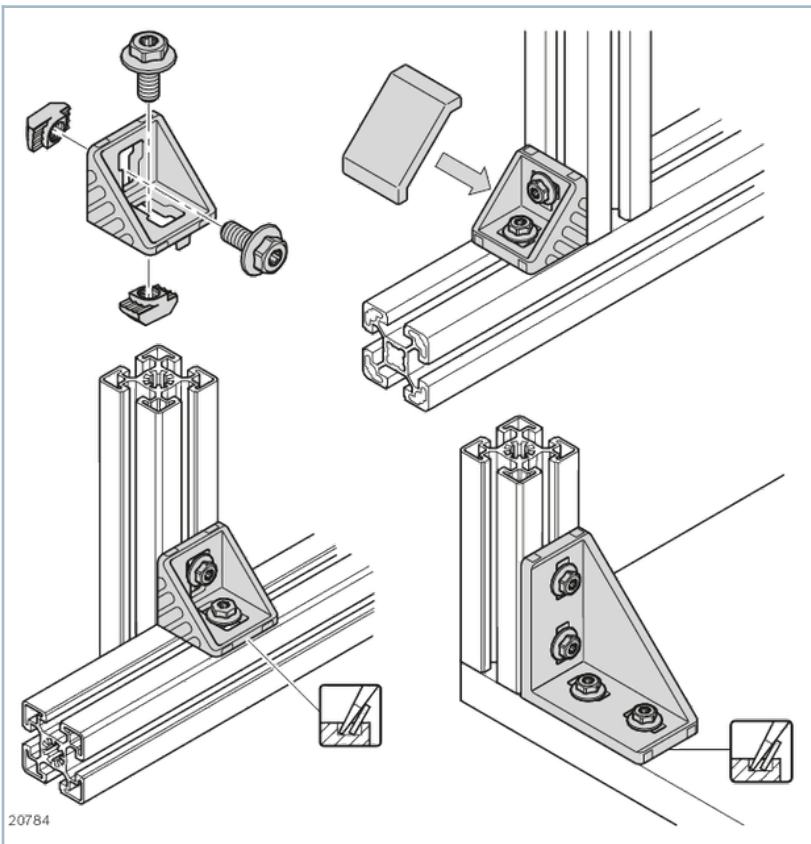
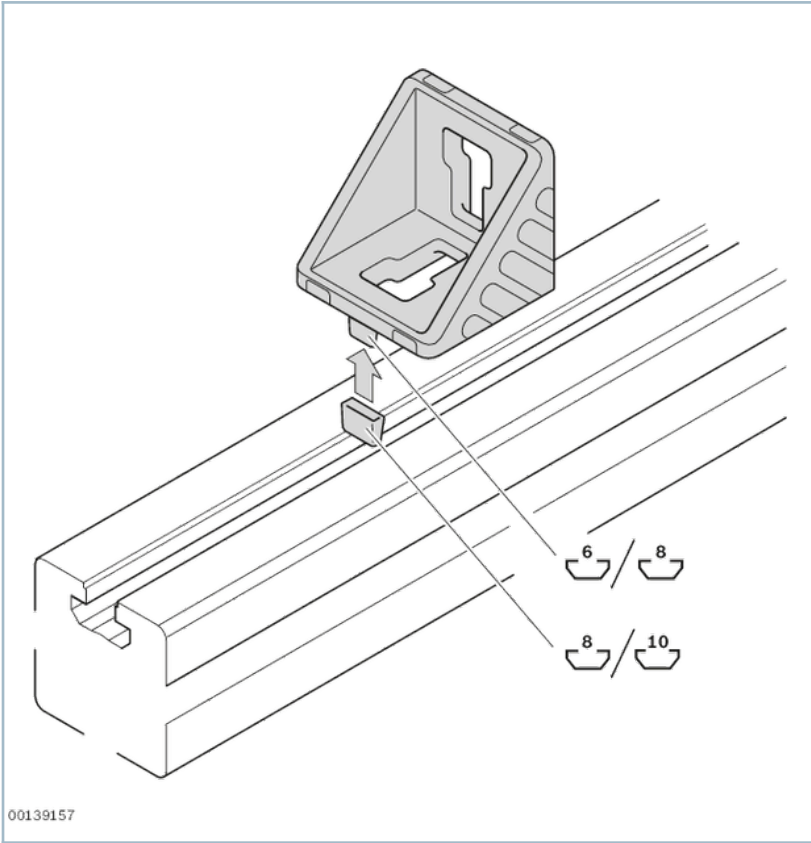
Bracket 45/45



- Profile finishing: not required

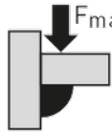
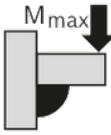





- Brackets with centering lugs for rapid, precise assembly with protection against turning
- Centering lugs can be easily broken off for assembly on plates or at right angles to the slot
- Version *designLINE* with special silver paint (RAL 9006) for an especially high-quality design
- Sliding block offset for off-center positioning of the 45/45 bracket
- Cover cap to protect from dirt, available in signal gray (RAL 7004) and black ESD (RAL 9005)

Product description



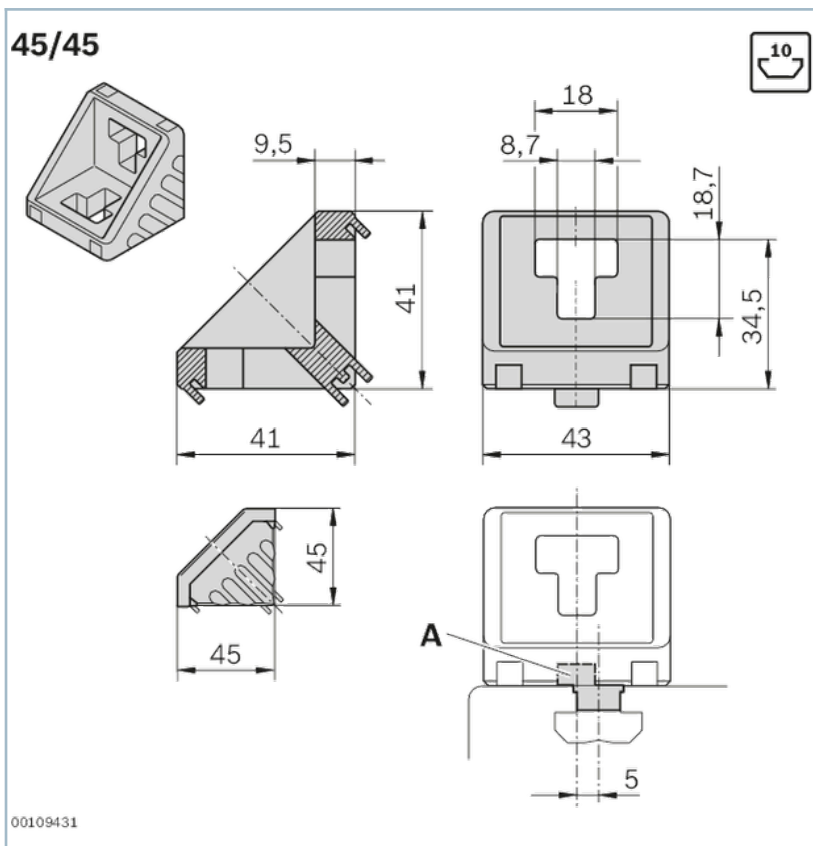
Connection elements, selection criteria

Technical data

	Groove	ESD	Material entry			
				F_{max}	M_{max}	M_{max}
				N	Nm	Nm
Bracket	10		Bracket: Diecast aluminum, vibratory ground Fastening material: steel; galvanized	3000	60	160
	10		Bracket <i>designLINE</i> : Diecast aluminum; vibratory ground, painted (RAL 9006) Fastening material: steel; galvanized	3000	60	160
	10		Bracket: Diecast aluminum, vibratory ground	3000	60	160
Cover cap for bracket			PP			
			PP			
Bracket 45x45	10		Sliding block, offset: PA; black			

Dimensions

45/45 bracket with cover cap



Accessories

Recommended accessories

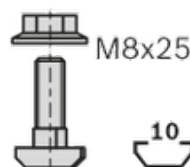
Sliding block, offset

Cover cap for bracket 45/45, signal gray





Cover cap for bracket 45/45, black

Delivery notes

FS7



Ordering codes

	Groove	ESD	FS	No.
Bracket 45x45 set (standard) ¹⁾	10		2xFS7	3842523561
Bracket 45x45 set design <i>LINE</i> ¹⁾	10		2xFS7	3842551606
Bracket (standard) 45x45	10			3842523558
Cover cap for bracket 45/45, signal gray				3842548862
Cover cap for bracket 45/45, black				3842548863
Bracket 45x45 offset sliding block	10			3842523593

1) Set incl. fastening material