

Round Tube



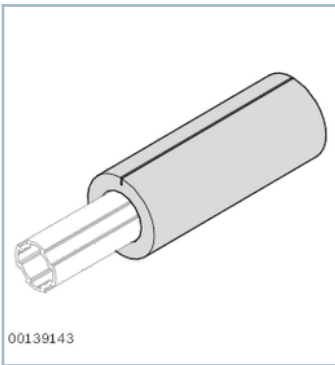
- D28L round tube with 4 interfaces for attaching EcoShape connectors
- D28L round tube, N10 with a 10 mm slot for mounting accessories from the modular aluminum framing system

- 3 interfaces for attaching EcoShape connectors
- Slide rail for creating a simple conveyor track or manual slide section by clipping the slide rail onto the D28L or D28L round tube, N10
- Cover cap for D28L and D28L round tube, N10
- Impact protection device for D28 and D28L round tube

Product description

- All connectors can be combined with the EcoShape round tubes D28L and D28L, N10, and the D28 round tube
- Integrated poka-yoke system for easy and secure connector installation
 1. Anti-torsion element for secure joints
 2. Positive interlocking connection
- All connectors are suitable for building ESD-conductive systems.

Impact protection device

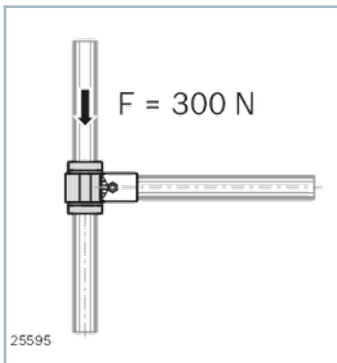


[Introduction to strut profiles](#)

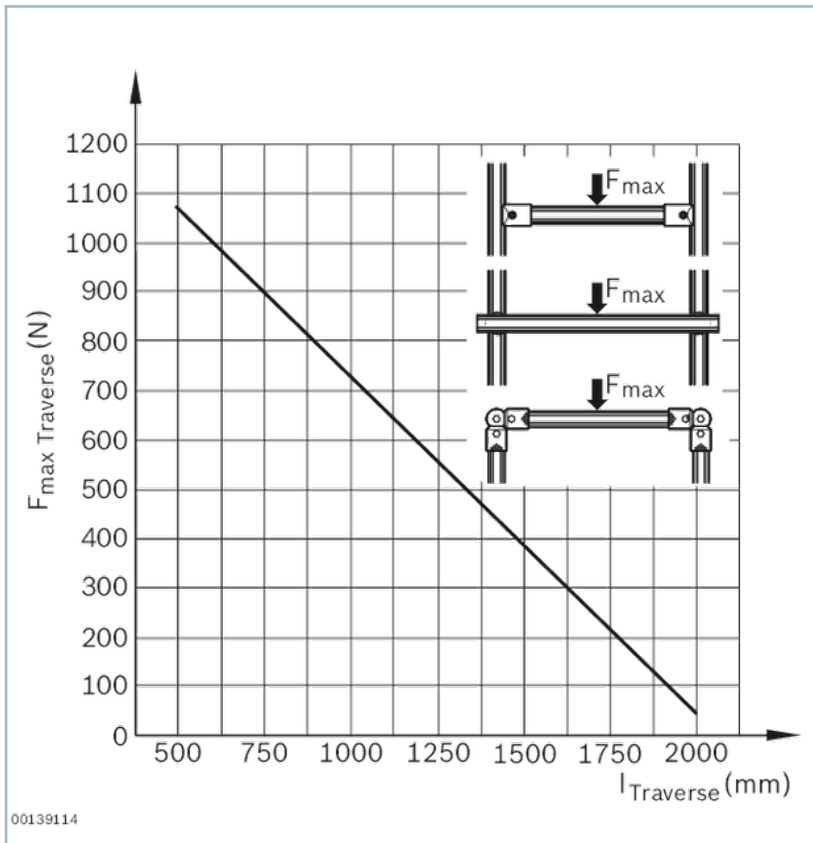
[EcoShape tubular framing system components](#)

Technical data

F = 300 N, swivel bearing D28L, holding ring D28L

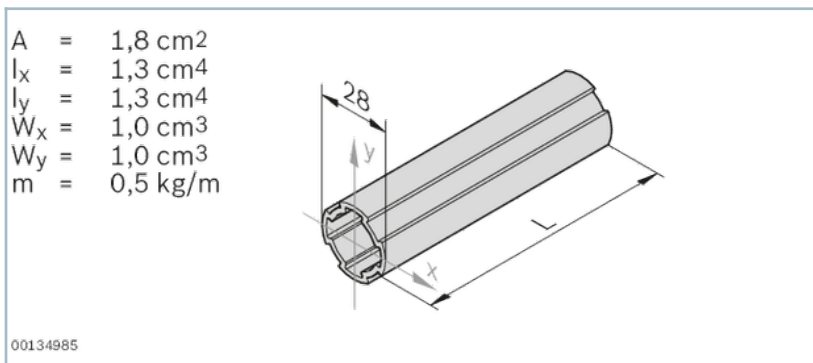


Cross tie D28L – permissible point load in the center connector: 90° connector, cross connector, corner piece

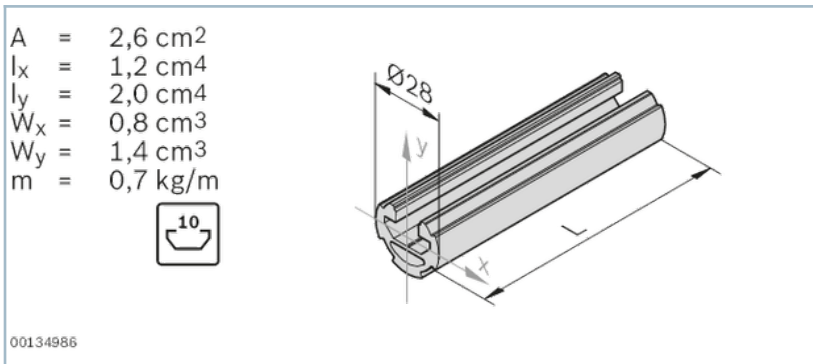


Dimensions

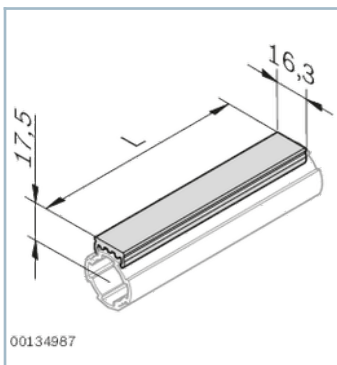
D28L round tube



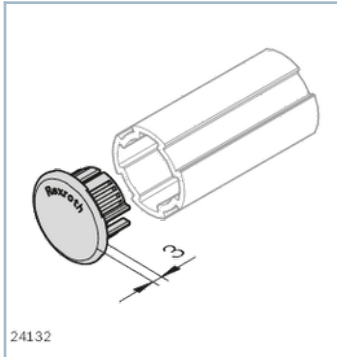
D28L round tube, N10



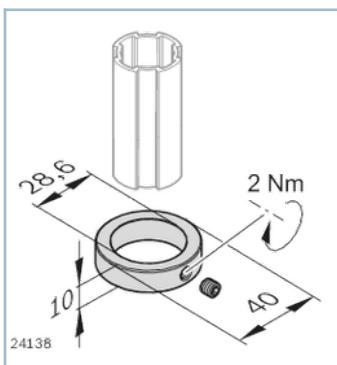
Slider rail



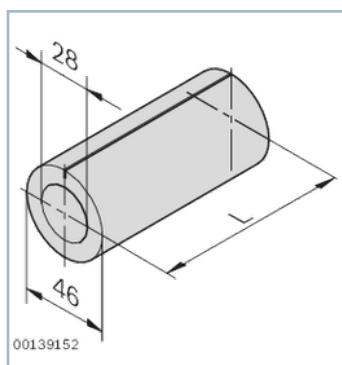
Cover cap D28L



Retaining ring D28L



Impact protection device









Delivery notes

FS2



Ordering codes

	L			ESD	No.
	mm				
D28L round tube, L50-5600	50 ... 6070	1			3842996191
D28L round tube, L6070	6070	50			3842557243
D28L round tube, L5600	5600	50			3842541211
D28L round tube, N10 L6070	6070	20			3842557244
D28L round tube, N10 L50-5600	50 ... 6070	1			3842996192
D28L round tube, N10 L5600	5600	20			3842541213
Slider rail D28L	2000	10	10		3842541196
Slider rail black ESD	2000		10		3842548117
Cover cap D28L			20		3842548129
Cover cap D28L, N10			20		3842548130
Retaining ring D28L			20		3842548122
Impact protection device	2000		10		3842544637
Slide rail, signal gray	2000		10		3842554750
Cover cap D28L, signal gray			20		3842554752
Cover cap D28L, N10, signal gray			20		3842554754
D28L round tube, L6070	6070		1		3842557250
D28L round tube, N10	6070		1		3842557251