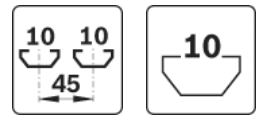
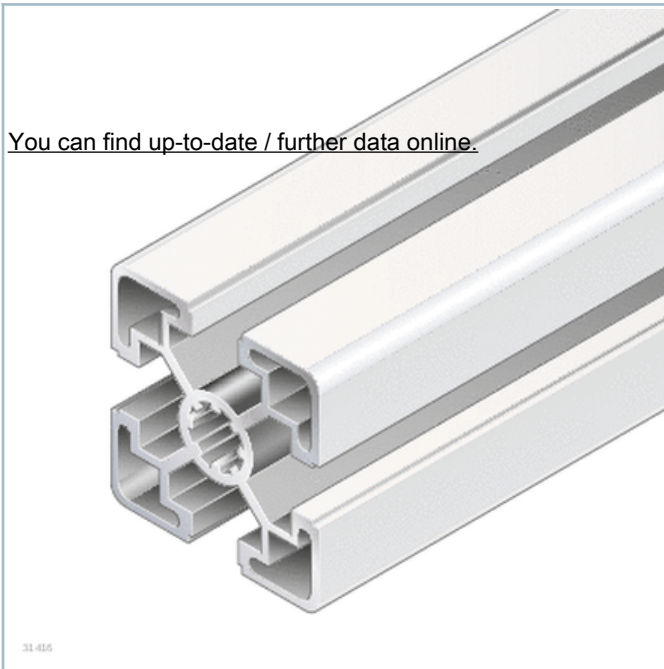


Strut profile 45x45L



[You can find up-to-date / further data online.](#)



Product description

[Quick & Easy profile finishes](#)

[Introduction to strut profiles](#)

Technical data

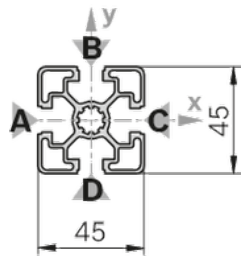
[Quick & Easy profile finishes](#)

Dimensions

Strut profile 45x45L

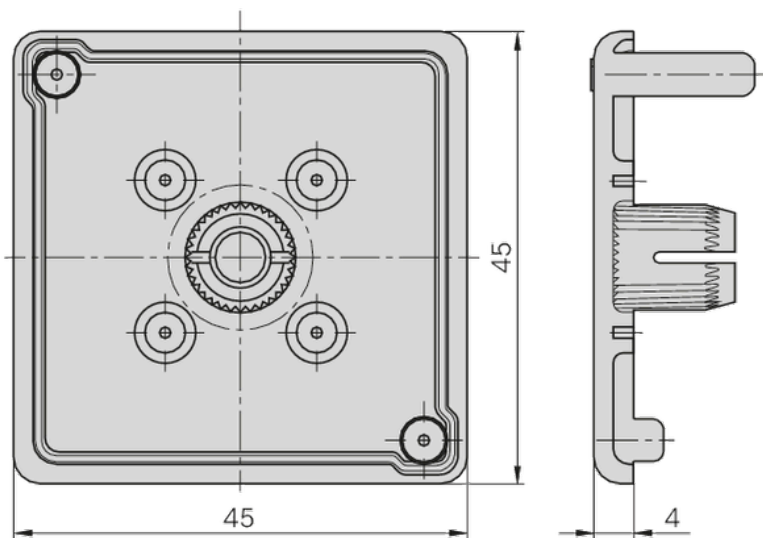
45x45L

$A = 6,0 \text{ cm}^2$
 $I_x = 11,7 \text{ cm}^4$
 $I_y = 11,7 \text{ cm}^4$
 $W_x = 5,2 \text{ cm}^3$
 $W_y = 5,2 \text{ cm}^3$
 $I_t = 1,46 \text{ cm}^4$
 $W_t = 0,75 \text{ cm}^3$
 $m = 1,6 \text{ kg/m}$



19421

Cover cap 45x45



28942

Ordering codes

The following cover caps with hole can be used:





Cover cap with hole 45x45, signal gray (1x)

Cover cap with hole 45x45, black (1x)

The following cover caps can be used:

Cover cap 45x45, signal gray (1x)

Cover cap 45x45, black (1x)

| | L |  |  | ESD | No. |
|--|--------------|--|---|---|------------|
| | mm | | | | |
| Strut profile 45x45L | 50 ... 6070 | | 1 | | 3842992425 |
| Strut profile 45x45L M12/- | 60 ... 6000 | | 1 | | 3842992426 |
| Strut profile 45x45L M12/M12 | 110 ... 6000 | | 1 | | 3842992427 |
| Strut profile 45x45L M12/D17 | 90 ... 6000 | | 1 | | 3842992960 |
| Strut profile 45x45L D9,8/D9,8 | 80 ... 6000 | | 1 | | 3842992967 |
| Strut profile 45x45L D17/- | 60 ... 6000 | | 1 | | 3842992953 |
| Strut profile 45x45L D17/D17 | 80 ... 6000 | | 1 | | 3842992954 |
| Strut profile 45x45L D17/D17V | 80 ... 6000 | | 1 | | 3842992956 |
| Strut profile 45x45L, 20XL=6070mm | 6070 | 20 | | | 3842553611 |
| Strut profile 45x45L Q&E | 50 ... 6070 | | 1 | | 3842993737 |
| Cover cap 45x45, signal gray | | | 100 | | 3842548752 |
| Cover cap 45x45, black | | | 20 |  | 3842548753 |
| Cover cap with hole 45x45, signal gray | | | 20 | | 3842548796 |
| Cap with hole 45x45, black | | | 20 |  | 3842548797 |
| Strut profile 45x45L | 6070 | | 1 | | 3842553618 |

Quick&Easy profile finishes

| | |
|---|-------------------------------------|
| Standard profile finishing $L_{max} = 6000$ mm (note minimum length) ¹⁾ | M12 / D9,8 / D17 / DB17 / F1 (A) |
| Customized profile finishes ($L_{max} = 4900$ mm) ²⁾ | DI / DIS / MT / MTS / MI / MIS / DG |

1) For the specified slots

2) $DG_{max} = 45^\circ$; $L_{min1} / L_{min2} = 378 / 456$ mm