

1

2

3

4

5

6

A

B

C

D

E

F

A

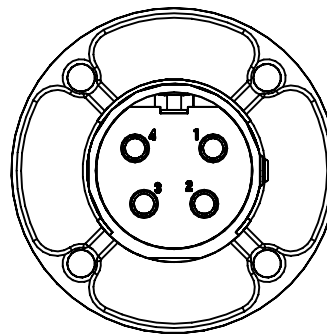
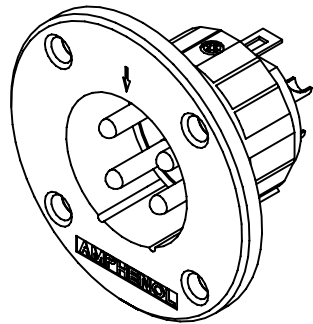
B

C

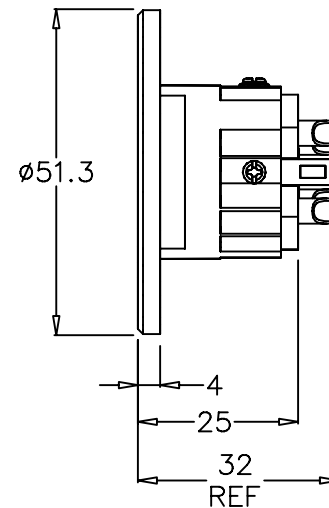
D

E

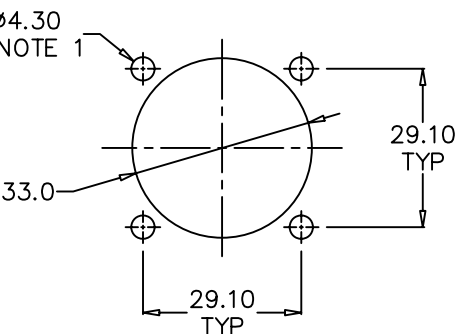
F



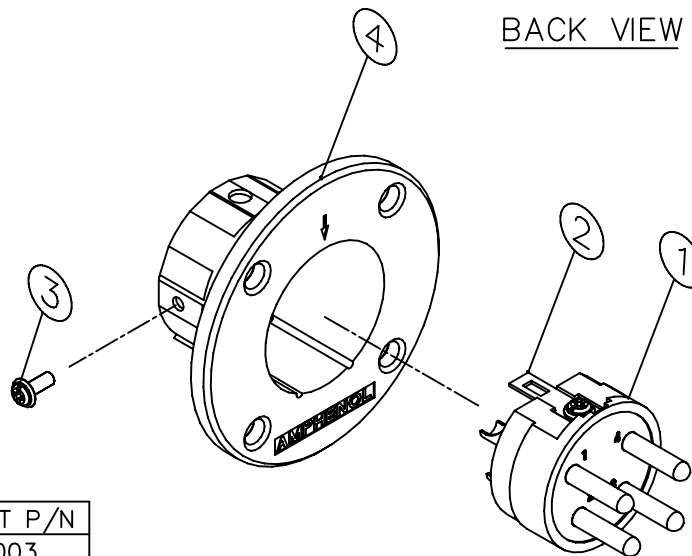
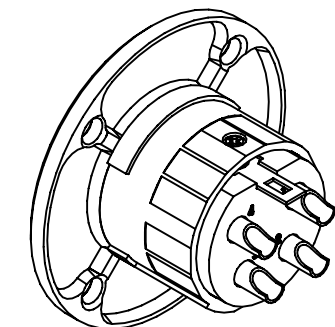
BACK VIEW



TOP VIEW



PANEL CUT OUT



EP-* - 14 TYPE	EP/AP INSERT P/N
EP - 3 - 14	156-4402-003
EP - 4 - 14	156-4402-004
EP - 5 - 14	156-4402-005
EP - 6 - 14	156-4402-006
EP - 8 - 14	156-4402-008

NOTE: 1. THE DIAMETER OF THE 4 MOUNTING HOLES ON THE PANEL CUT OUT DEPENDS ON THE SIZE OF THE SCREW TO BE USED  
 2. FOR EXAMPLE: FOR AN EP-4-14 USE ASSY No. 128037-0004



ITEM	PART No.	DWG No.	DESCRIPTION	QTY
4	248-4099-0**	248-4099-0**	EP-* - 14 SHELL	1
3	990-4500-000	990-4500-000	2-32 PAN WASHER FACE SCREW	2
2	357-4400-000	357-4400-000	EP RETAINER	1
1	SEE TABLE	SEE TABLE	EP/AP PIN INSULATOR ASSEMBLY	1

UNLESS OTHERWISE SPECIFIED TOLERANCE TO BE		THIS DOCUMENT IS THE PROPERTY OF AMPHENOL AUSTRALIA PTY. LTD. NO PART THEREOF MAY BE REPRODUCED AND USED WITHOUT THE PRIOR WRITTEN CONSENT OF THE OWNER	
LINEAR	ANGULAR	CAD FILE: 00806102	DRN: C.J.W.
X ± 0.50	X° ± 1°	MATL: REFER TO COMPONENT	DATE: 15-04-94
X.X ± 0.25	X'X' ± 30'	FINISH: REFER TO COMPONENT	CKD: M.H.
X.XX ± 0.10	X'X'X' ± 15'	APP'D: P.M.	DATE: 19-11-08
BREAK ALL SHARP EDGES AND REMOVE ALL BURRS		SCALE: 2:1 UOS	DATE: 19-11-08
DO NOT SCALE		PART No:	SEE TABLE
DIMENSIONS IN MILLIMETRES		SIZE: A3	126037-000*

2	OMIT PART NUMBER EP - 2 - 14 PRODUCT ABSELETED	M.N.H.	19-11-08	8784
1	UPDATE TO AMPHENOL TITLE BLOCK & LOGO REDRAW, ADD BOM & PANEL CUT OUT	M.N.H.	12-04-01	7784
0	FIRST ISSUE	D.v.E.	15-04-94	----
REV.	CHANGE DETAILS	BY	DATE	CHG/No

TITLE: EP-\* - 14 CUSTOMER DRAWING

**Amphenol**  
 Amphenol Australia Pty Ltd, 2 Fireweys Blvd, Keysborough, Vic3173

DRAWING NO. 126037-000\* SHEET 1 OF 1

1

2

3

4

5

6