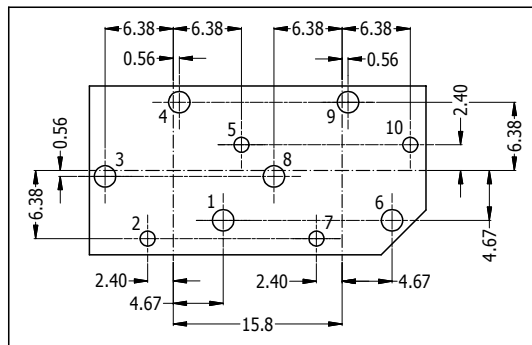
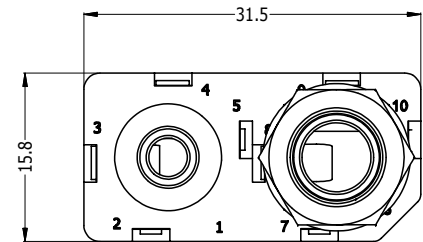
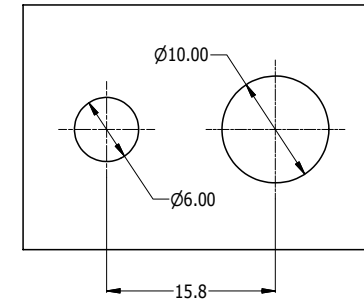
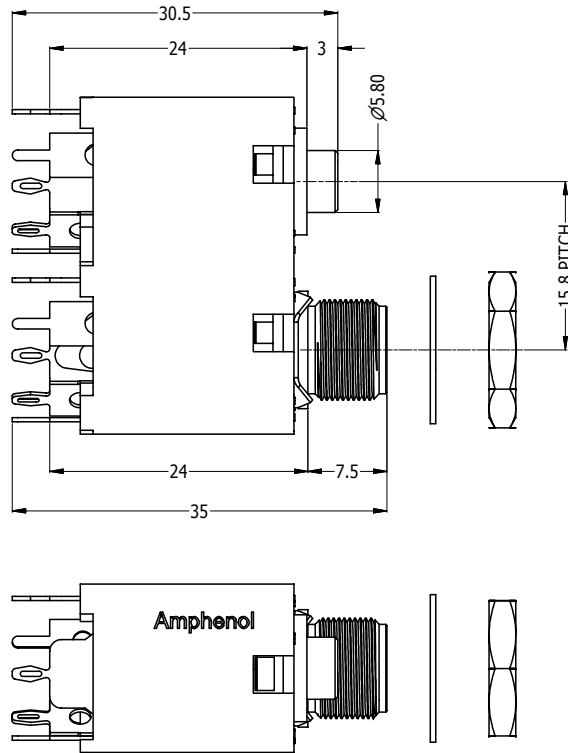
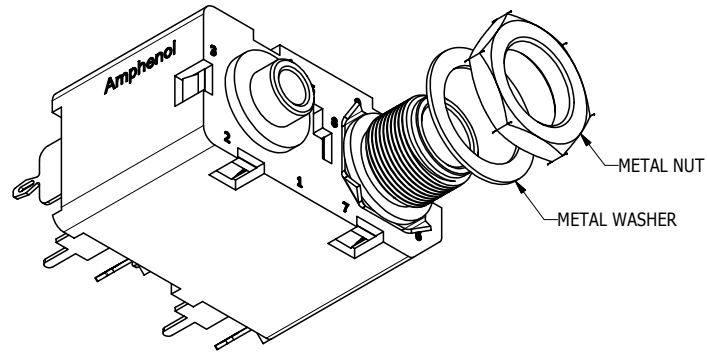
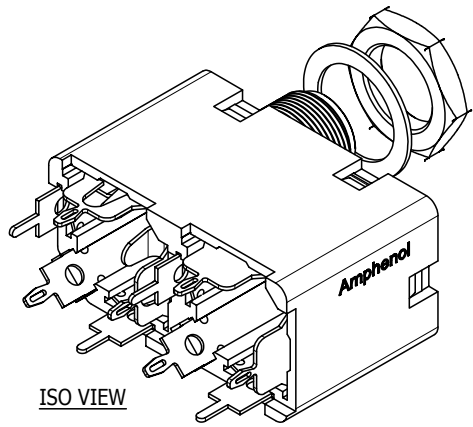


LEGEND \diamond = KEY PRODUCT CHARACTERISTICS



REVISION HISTORY				
REV	DESCRIPTION	DATE	BY	CHG/No
0	FIRST ISSUED	30/10/08	M.H	---



PCB LAYOUT
COMPONENT SIDE

PART NUMBER	ACJM-MVD985-2	ACJM-MVD985-2S	ACJS-MVD985-3	ACJS-MVD985-3S	ACJS-MVD985-5
SCHEMATIC					

UNLESS OTHERWISE SPECIFIED TOLERANCE TO BE	THIS DOCUMENT IS THE PROPERTY OF AMPHENOL AUSTRALIA PTY. LTD. NO PART THEREOF MAY BE REPRODUCED AND USED WITHOUT THE PRIOR WRITTEN CONSENT OF THE OWNER.			Amphenol Australia Pty.Ltd, 2 Fiveways Blvd, Keysborough, VIC 3173
	LINEAR	ANGULAR	MATERIAL: REFER TO COMPONENTS	
X ±0.5	X' ±1	DRN: B.Z	DATE: 30/10/08	TITLE: 3.5MM & 1/4" DUAL VERTICAL JACK CUSTOMER DRAWING
XX ±0.25	XX' ±30	CKD: M.H	DATE: 30/10/08	PART No: SEE CHART
XXX ±0.1	XXX' ±15	APPD: P.M	DATE: 30/10/08	DRAWING No. 55010545-000-5
DO NOT SCALE		FINISH: REFER TO COMPONENTS	SCALE: 2:1	SIZE: A3
DIMENSIONS IN MILLIMETRES		THIRD ANGLE PROJECTION	CAD FILE: 55010545000110	SHEET 1/2