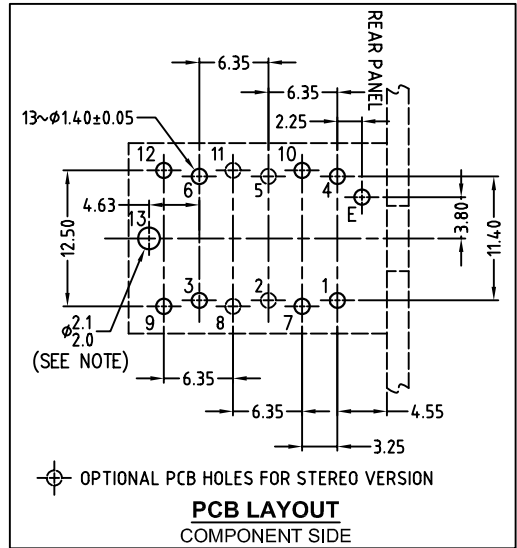
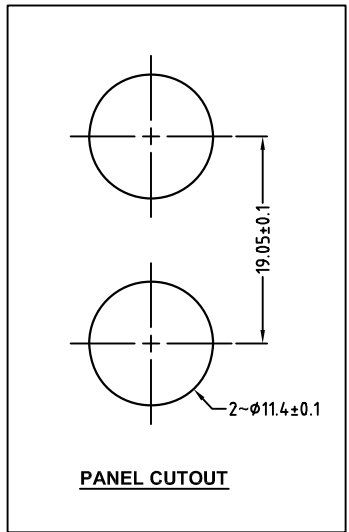
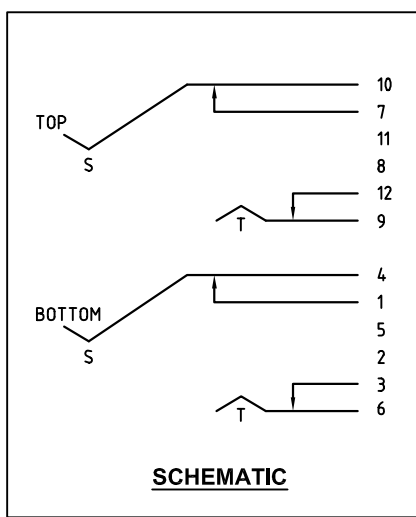
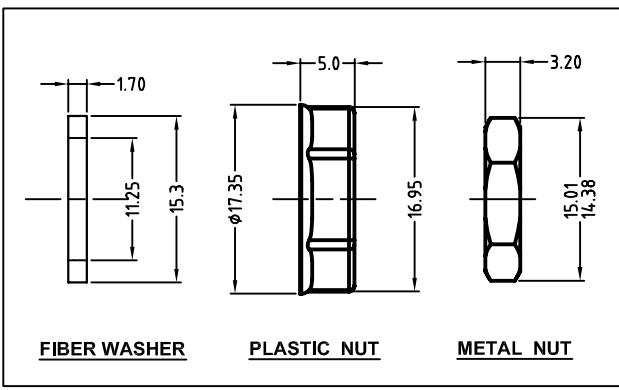
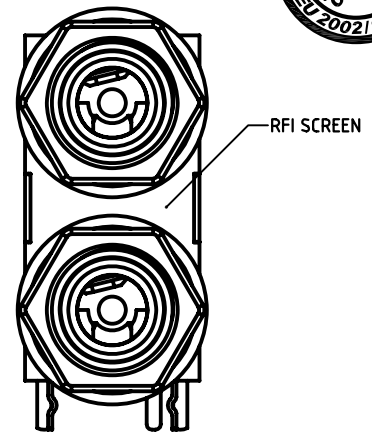
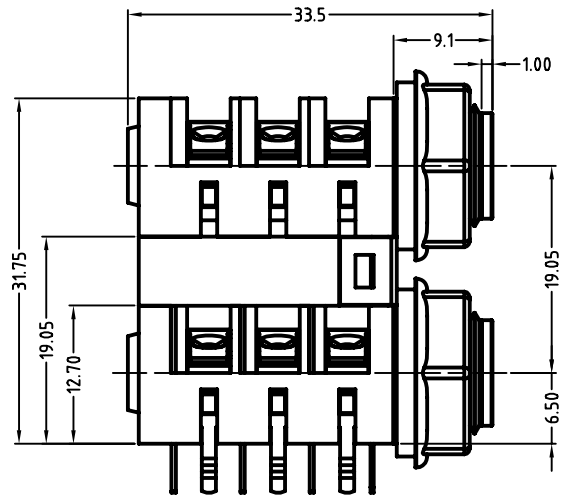
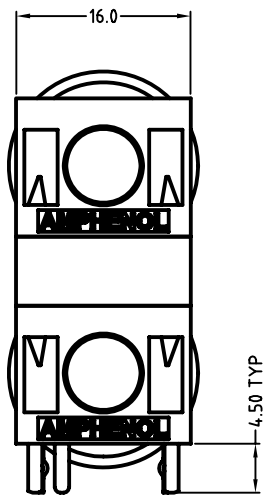
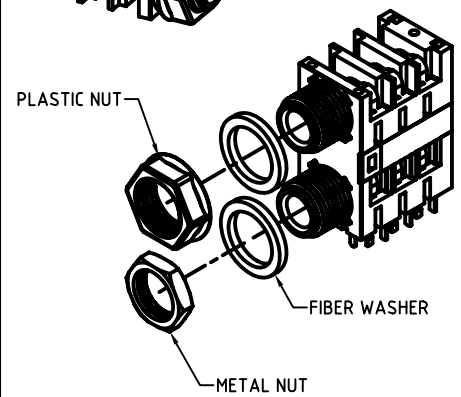


ISO VIEW  
SCALE 1:1



CATALOGUE P/N	ASSEMBLY P/N	NUT OPTIONS
ACJM-PHDE	55010575-502	PLASTIC
ACJM-MHDE	55010575-302	METAL

NOTE: OPTIONAL MOUNTING HOLE FOR SELF-TAPPING M2 SCREW

UNLESS OTHERWISE SPECIFIED TOLERANCE TO BE		THIS DOCUMENT IS THE PROPERTY OF AMPHENOL AUSTRALIA PTY. LTD. NO PART THEREOF MAY BE REPRODUCED AND USED WITHOUT THE PRIOR WRITTEN CONSENT OF THE OWNER			0	FIRST ISSUE	M.H	19-02-09	----
LINEAR	ANGULAR	CAD FILE: 55010575000220	DRN: M.H	DATE: 19-02-09	REV.	CHANGE DETAILS	BY	DATE	CHG/No
X ± 0.5	X° ± 1°	MATL: REFER TO COMPONENT	CKD: M.N.H	DATE: 19-02-09	TITLE: 1/4" PHONE MONO DUAL JACK CUSTOMER DRAWING		Amphenol		
X.X ± 0.10	X°X' ± 30'	DO NOT SCALE	FINISH: REFER TO COMPONENT	DATE: 19-02-09	DRAWING No.		Amphenol Australia Pty.Ltd, 2 Fireways Blvd, Keysborough, Vic3173		
X.XX ± 0.05	X°X'X" ± 15"	DIMENSIONS IN MILLIMETRES		SCALE: 2:1 UOS	PART No:	REFER TO CHART	SIZE: A3	55010575-502-2	SHEET 2 OF 2