

1

2

3

4

5

6

A

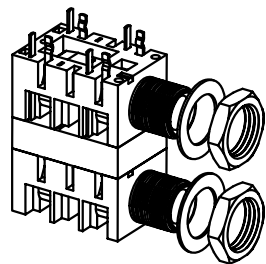
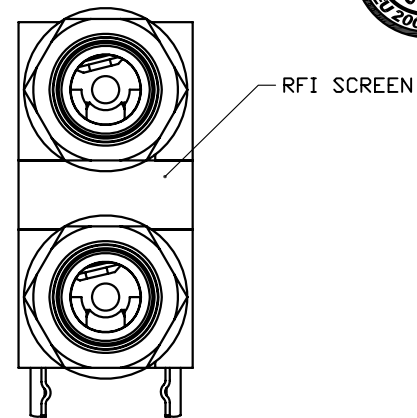
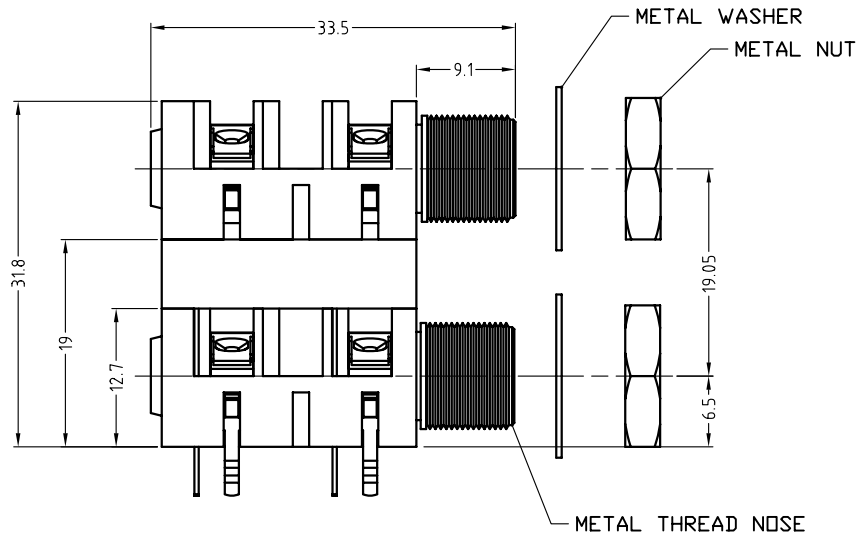
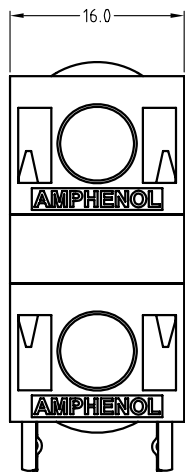
B

C

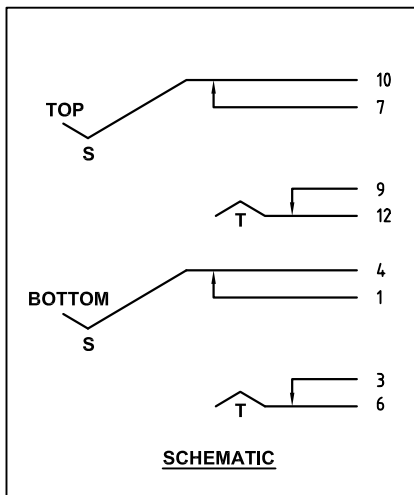
D

E

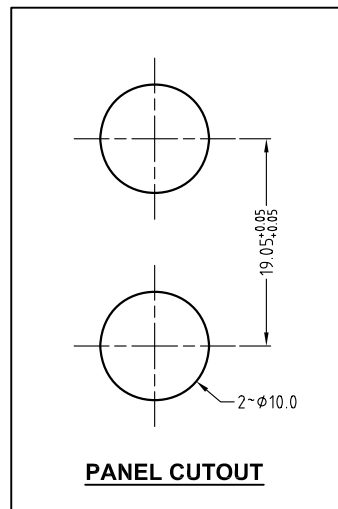
F



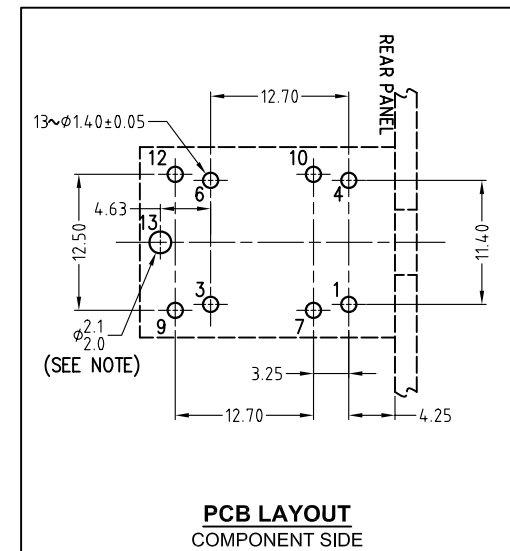
**ISO VIEW**  
SCALE 1:1



**SCHEMATIC**



**PANEL CUTOUT**



**NOTE:** OPTIONAL MOUNTING HOLE FOR SELF-TAPPING M2 SCREW

CATALOGUE P/N	NUT OPTION
ACJM-LHDM	NO NUT & WASHER
ACJM-MHDM	METAL NUT & WASHER INCLUDED

UNLESS OTHERWISE SPECIFIED TOLERANCE TO BE		THIS DOCUMENT IS THE PROPERTY OF AMPHENOL AUSTRALIA PTY. LTD. NO PART THEREOF MAY BE REPRODUCED AND USED WITHOUT THE PRIOR WRITTEN CONSENT OF THE OWNER				0	FIRST ISSUE	M.H	05-03-10	----	
LINEAR	ANGULAR					REV.	CHANGE DETAILS	BY	DATE	CHG/No	
X ± 0.5	X° ± 1°	CAD FILE: 55010659001120				DRN:	M.H	DATE:	05-03-10	TITLE:	
X.X ± 0.20	X°X' ± 30'	MATERIAL: REFER TO COMPONENT				CKD:	M.H	DATE:	05-03-10	1/4" PHONE MONO DUAL JACK CUSTOMER DRAWING	
X.XX ± 0.10	X°X'X" ± 15"	DO NOT SCALE				FINISH:	REFER TO COMPONENT	APP'D:	P.M		DATE:
BREAK ALL SHARP EDGES AND REMOVE ALL BURRS		DIMENSIONS IN MILLIMETRES				SCALE:	2:1 UDS	PART No:	SEE TABLE	SIZE:	A3
		THIRD ANGLE PROJECTION				SEE TABLE		SEE TABLE		Amphenol Australia Pty.Ltd, 2 Fireweys Blvd, Keysborough, Vic3173	
						DRAWING No.		55010659-001-2		SHEET 2 OF 2	