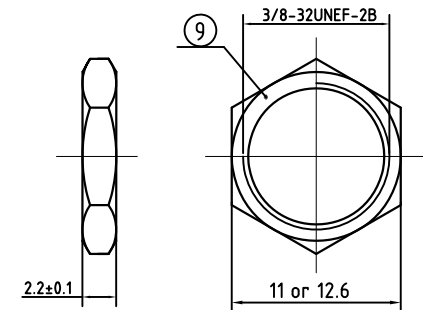
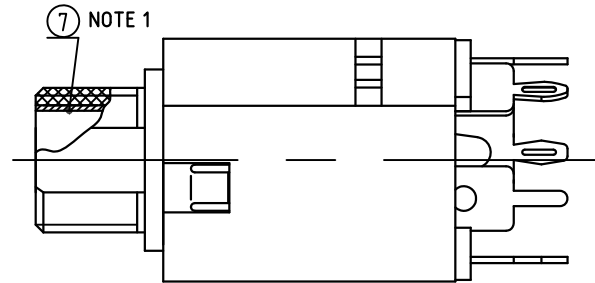


PCB MOUNTING HOLES(±0.1)
(COMPONENT SIDE)



HEX NUT

FLAT WASHER

PART No.	ACJM-MIV-2	ACJM-MIV-2S	ACJS-MIV-3	ACJS-MIV-3S	ACJS-MIV-5
SCHEMATIC					

NO.	NAME	QTY	MATERIAL(THICK,COLOR)	REMARK
9	HEX NUT	1	H59 (COPPER ALLOY)	Ni-PLATED(Cu:2-3um, Ni:2-3um) RoHS COMPLIANT
8	FLAT WASHER	1	H62Y OR STEEL t=0.5	
7	METAL TUBE	1	H59 (COPPER ALLOY)	
6	BODY	1	PBT G10 94HB	RoHS COMPLIANT
5	5# TERMINAL	1	H62Y t=0.4 (C2680R-H)	Ag-PLATED(Cu:2-3um, Ag:0.3um) RoHS COMPLIANT
4	4# TERMINAL	1	H62Y t=0.4 (C2680R-H)	
3	3# TERMINAL	1	QSn6.5-0.1Y t=0.35 (C5210R-H)	
2	2# TERMINAL	1	QSn6.5-0.1Y t=0.4 (C5210R-H)	
1	1# TERMINAL	1	QSn6.5-0.1Y t=0.4 (C5210R-H)	

NOTE 1: METAL TUBE IS NOT CONNECTED TO TERMINAL 1

UNLESS OTHERWISE SPECIFIED TOLERANCE TO BE

LINEAR	ANGULAR
X ± 0.5 X.X ± 0.20 X.XX ± 0.10	X° ± 1° X'X" ± 30' X'X"X" ± 15'

BREAK ALL SHARP EDGES AND REMOVE ALL BURRS

DO NOT SCALE

THIS DOCUMENT IS THE PROPERTY OF AMPHENOL AUSTRALIA PTY. LTD.. NO PART THEREOF MAY BE REPRODUCED AND USED WITHOUT THE PRIOR WRITTEN CONSENT OF THE OWNER

CAD FILE: 55010639000111 DRN: M.H DATE: 19-11-09

MATL: SEE TABLE CKD: M.H DATE: 31-10-18

FINISH: SEE TABLE APP'D: M.H DATE: 31-10-18

SCALE: NTS PART No: SEE TABLE

1	CORRECT CONTACT IDS TO MATCH SCHEMATIC DIAGRAM	M.H	31-10-18	9511
0	FIRST ISSUE	M.H	19-11-09	----
REV.	CHANGE DETAILS	BY	DATE	CHG/No

TITLE:
6.5mm INSULATED
VERTICAL JACK
CUSTOMER DRAWING

Amphenol
Amphenol Australia Pty Ltd, 22 Industry Blvd, Corrum Downs, Vic.3201
DRAWING NO. 55010639-000-1
SHEET 1 OF 1