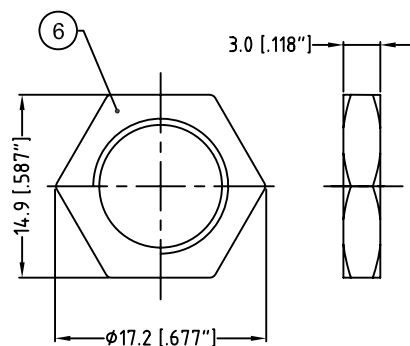
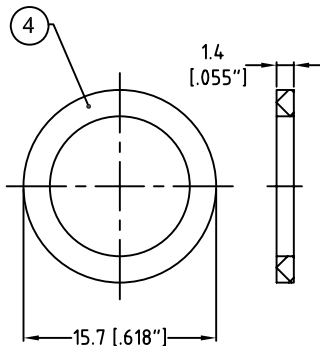


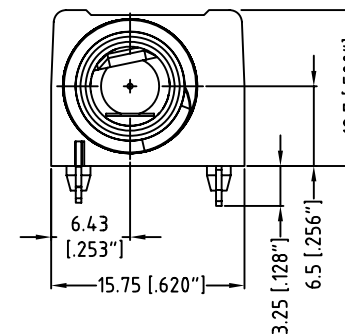
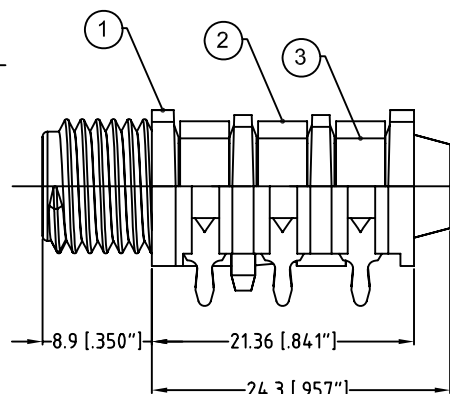
PLASTIC NUT



METAL NUT



PLASTIC WASHER



A

B

C

D

E

F

A

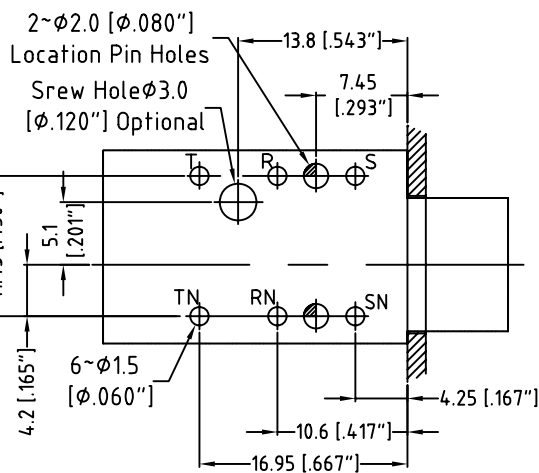
B

C

D

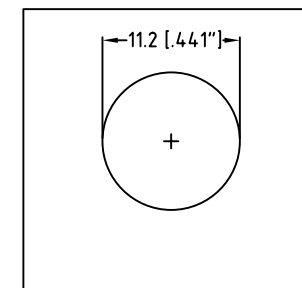
E

F



PCB LAYOUT

PART NO.	ACJM-PHOP	ACJS-PHOP	PLASTIC BLACK
	ACJM-MHOP	ACJS-MHOP	METAL NICKEL
SCHEMATIC			NUT OPTION



PANEL CUTOUT

NO.	PART NAME	Q'TY	MATERIAL (THICK)	REMARK
6	NUT	1	BRASS	Ni-PLATED
5	NUT	1	PA66	BLACK
4	WASHER	1	PA66	BLACK
3	FLAT TERMINAL	3	H62Y t=0.4mm	Ag-PLATED, RoHS COMPLIANT
2	SPRING TERMINAL	3	QSn6.5-0.1T t=0.4mm	
1	HOUSING	1	PA66 G10	BLACK

UNLESS OTHERWISE SPECIFIED TOLERANCE TO BE		THIS DOCUMENT IS THE PROPERTY OF AMPHENOL AUSTRALIA PTY. LTD.. NO PART THEREOF MAY BE REPRODUCED AND USED WITHOUT THE PRIOR WRITTEN CONSENT OF THE OWNER			0	FIRST ISSUE	M.N.H	29-01-09	----
LINEAR	ANGULAR	CAD FILE: 550105420001110			REV.	CHANGE DETAILS	BY	DATE	CHG/No
X ± 0.5 X.X ± 0.1 X.XX ± 0.05	X° ± 1° X°X' ± 30" X°X'X" ± 15'	DRN:	M.N.H	DATE: 29-01-09	TITLE:		1/4" PHONE OFFSET JACK CUSTOMER DRAWING		
BREAK ALL SHARP EDGES AND REMOVE ALL BURRS		MATL:	REFER TO COMPONENT	CKD:	M.H.	DATE: 18-02-09	Amphenol Australia Pty Ltd, 2 Fireways Blvd, Keysborough, Vic3173		
DO NOT SCALE		FINISH:	REFER TO COMPONENT	APP'D:	P.M.	DATE: 18-02-09	DRAWING NO. SHEET		
DIMENSIONS IN MILLIMETRES		THIRD ANGLE PROJECTION		SCALE:	1:1	PART No: REFER TO SCHEMATIC	SIZE: A4	55010542-000-1 1 OF 1	

1

2

3

4

5

6