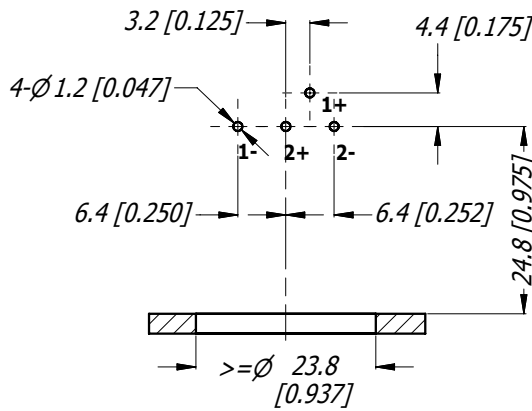
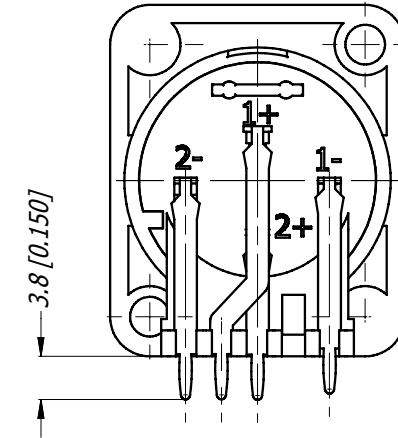
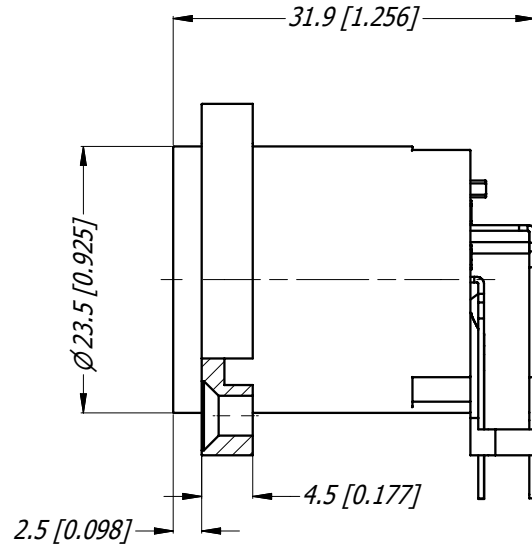
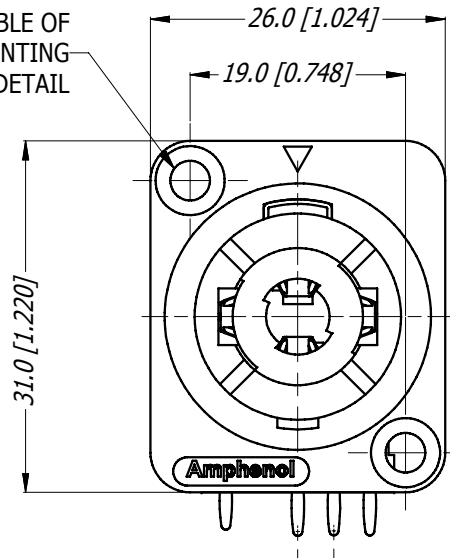


LEGEND  = KEY PRODUCT CHARACTERISTICS

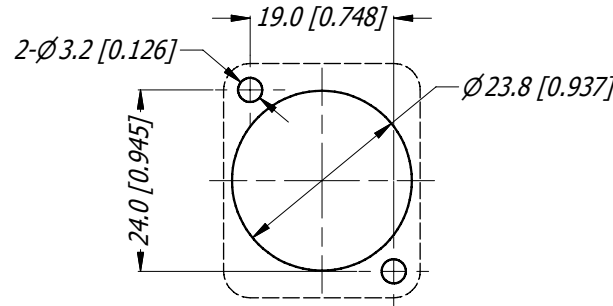
REVISION HISTORY				
REV	DESCRIPTION	BY	DATE	ECN
0	FIRST ISSUE	HH	14/02/11	8990



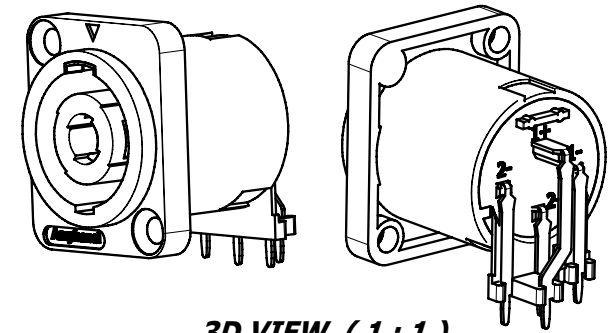
REFER TO TABLE OF PART No FOR MOUNTING HOLE DETAIL



PCB LAYOUT (1:1)



PANEL CUTOUT (1:1)



3D VIEW (1:1)

TABLE OF PART No.

PART No	MOUNTING HOLE	SHELL COLOR
SP-4-MDH	Ø3.5, TRHU HOLES	BLACK
SP-4-MDHT-8	Ø2.3, SELF TAPPING HOLES	GREY
SP-4-MDHT	Ø2.3, SELF TAPPING HOLES	BLACK

UNLESS OTHERWISE SPECIFIED TOLERANCE TO BE	
LINEAR	ANGULAR
X ± 0.5	X' ± 1
X.X ± 0.1	X.X' ± 30'
X.XX ± 0.05	X.XX" ± 15'

BREAK ALL SHARP EDGES AND REMOVE ALL BURRS

DO NOT SCALE

THIS DOCUMENT IS THE PROPERTY OF AMPHENOL AUSTRALIA PTY. LTD.
NO PART THEREOF MAY BE REPRODUCED AND USED WITHOUT THE PRIOR WRITTEN CONSENT OF THE OWNER

MATERIAL: **REFER TO COMPONENTS**

FINISH:

DRN: HH DATE: 10/02/11

CKD: TN DATE: 14/02/11

APP'D: PM DATE: 14/02/11

DIMENSIONS IN MILLIMETRES



THIRD ANGLE PROJECTION

SCALE: **3:2** SIZE: **A4**

Amphenol

Amphenol Australia Pty.Ltd,
2 Fiveways Blvd, Keysborough, VIC 3173

TITLE:
**SP SERIES CONNECTOR
LOUDSPEAKER
4 POLE, HORIZONTAL PCB**

PART No.
REFER TO TABLE

DRAWING No. **55010740-000-2** SHEET **2/2**

CAD FILE: 55010740000210