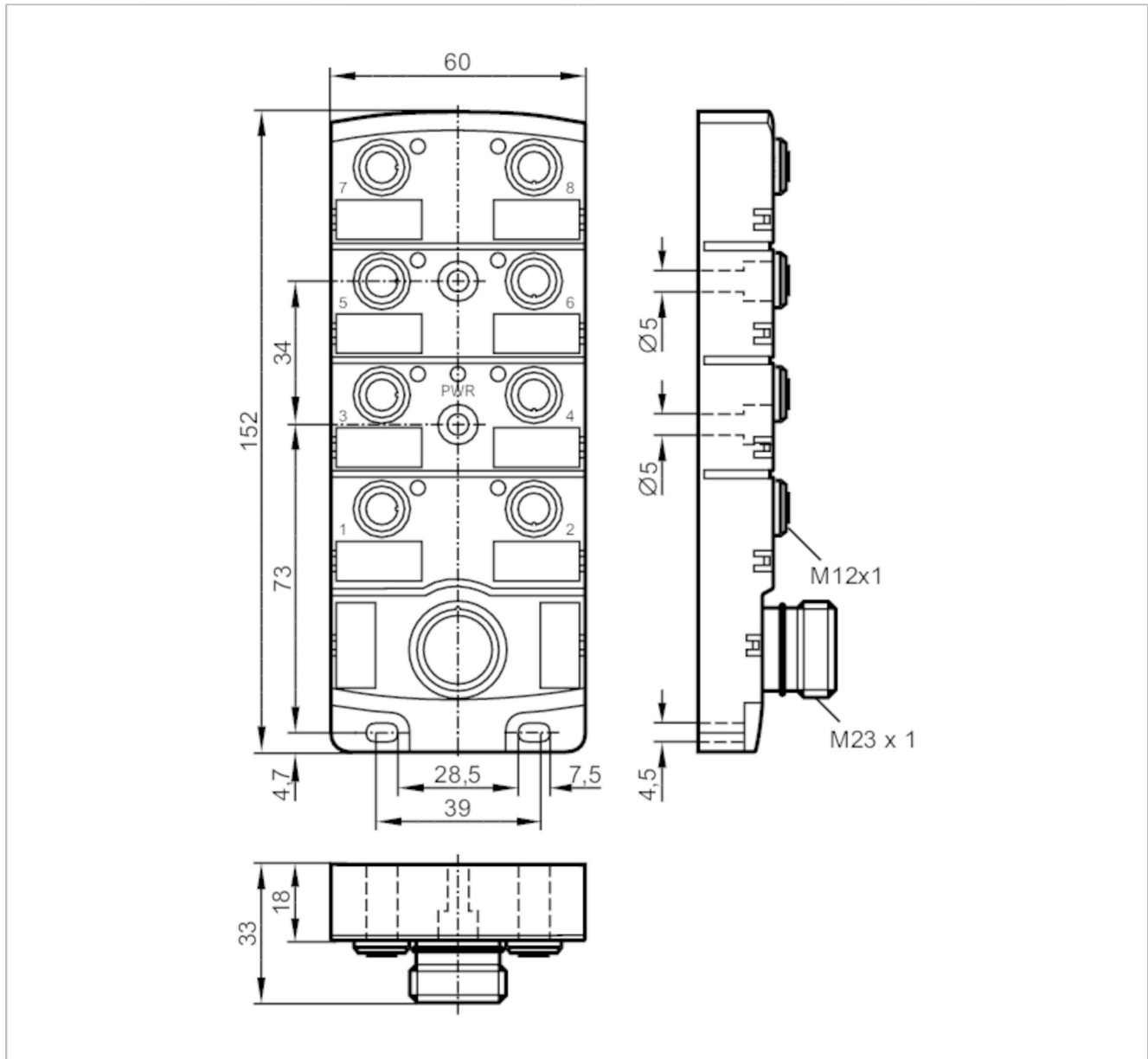


EBC010

Wiring block

ZD08H059MSS0000-00STAK120MSS



Application

System	Free from silicone; gold-plated contacts
Free from silicone	yes

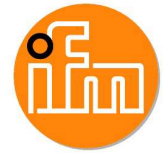
Electrical data

Operating voltage	[V]	10...30 DC; (cULus - Class 2 source required)
Max. current load per module/slot	[A]	4
Max. current load total	[A]	12

Outputs

Electrical design	PNP
-------------------	-----

EBC010

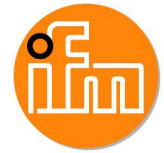


Wiring block

ZDO8H059MSS0000-00STAK120MSS

Operating conditions		
Ambient temperature [°C]		-25...80
Protection		IP 67
Tests / approvals		
UL approval	Enclosure type	Type 1
Mechanical data		
Weight [g]		304,5
Dimensions [mm]		33 x 60 x 152
Material		PA
Molded-body material		PA
Number of ports splitter box		8
Connector type		M12
Displays / operating elements		
Display	Switching status	8 x LED, yellow
	Power	1 x LED, green
Accessories		
Items supplied		Protective caps: 2 labels: 8
Remarks		
Pack quantity		1 pcs.
Electrical connection - Connection		
Connector: 1 x M23; Moulded body: PA; Contacts: gold-plated; Tightening torque: 0.8...1.5 Nm		

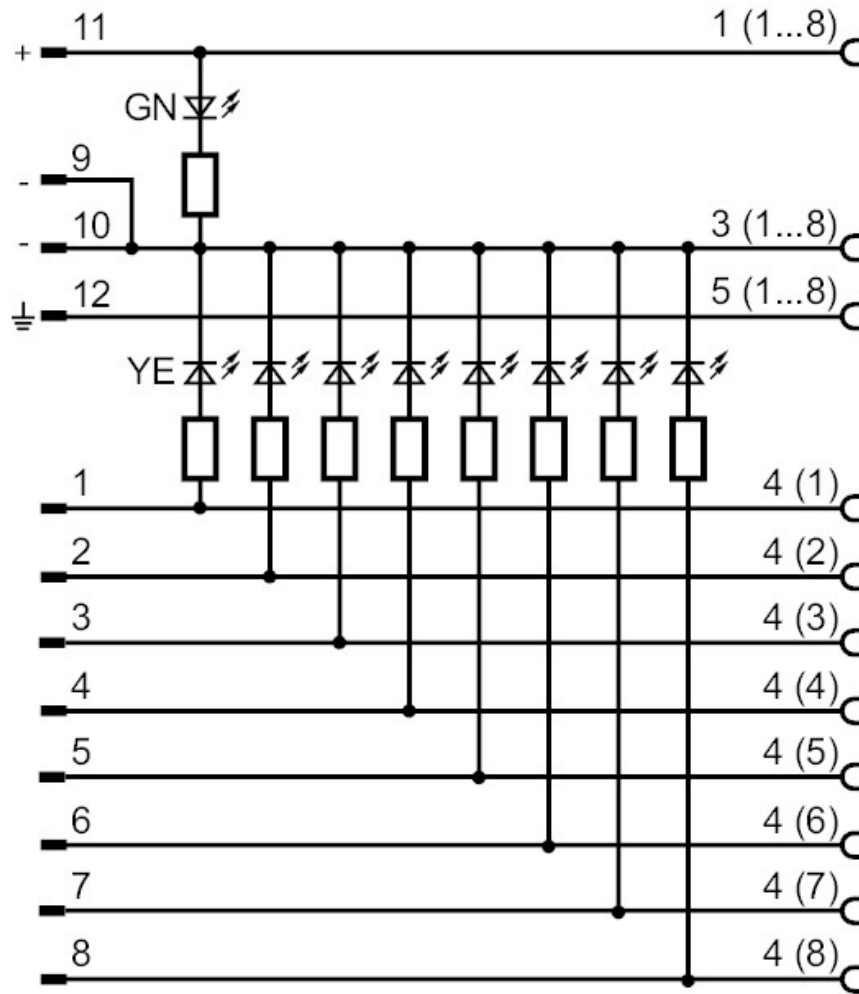
EBC010



Wiring block

ZDO8H059MSS0000-00STAK120MSS

Connection



Electrical connection - slot

Connector: 8 x M12; Moulded body: PA; Contacts: gold-plated; Tightening torque: 0.8...1.5 Nm

