

FEATURES

- Battery 'fuel gauge' with Hours Run Counter
- Suits most Battery types
- 12/24/26/48Vdc
- Maintenance reminder visual alarm + 5V output signal
- Backlit Display
- IP65 frontplate

RS PRO Battery 'Fuel-Gauge' & Maintenance Hours Run Counter

RS Stock No.: 2337808



RS Professionally Approved Products bring to you professional quality parts across all product categories. Our product range has been tested by engineers and provides a comparable quality to the leading brands without paying a premium price.

Product Description

- Monitor the charge state of Batteries, Suitable for 9 battery types including Lead-Acid, Gel, LiFE-PO4 and AGM Batteries
- Record Hours in operation and signal when a maintenance period or hire period has expired
- Used in Battery powered vehicles and machines such as Fork-Lift Trucks, Golf-Carts and Trolleys, Lawn Mowers, Industrial Pressure Washers.

General Specifications

Overview

The Battery fuel gauge is a gauge that measures the remaining power in a battery by monitoring the voltage change of the device. It also has a multi-function programmable, resettable Hour Meter to monitor maintenance time or hire-period. An LED indicates 'time-up' and a 5V output can be used for 'time-up' signaling. It is suitable for most lead-acid, GEL, LiFE-PO4, AGM batteries and you can also choose different voltage types. The 5 bar LED screen shows the battery level, the resolution: 20% for each LED segment. The battery indicator provides 9 selectable types of discharge curves, programmable high and low voltage warnings, three-level backlight settings, user-off, and also has an IP65 surface waterproof design to adapt to the harsh external environment.

Mechanical Specifications

Dimensions	50mm x 50mm bezel x 32mm deep (Max)
Panel cut-out	45mm x 45mm
Panel fixing	Integrated sprung ratchet clamps
Display Window size	40.8mm x 18.8mm
Weight	52gm
Connections	Supplied complete with 8-pin connector with crimp terminals

Electrical Specifications

Battery Voltages measured	12/24/38/48Vdc
Battery types	Lead-Acid, GEL, LiFE-PO4, AGM
Display Accuracy	Voltage: 0.01V. Percentage +/- 1%
Hour Meter Range	0-99999 Hours
Hour meter Accuracy	0.1 Hour/1 Hour
Maintenance Period Range	0 – 2000 Hours
Display Backlight	ON/OFF/AUTO
Maintenance Time-Out Signal	5.0V/50mA

Protection Category

IP Category	IP65
--------------------	------

Additional Information

Custom Tariff Number	9030337000
-----------------------------	------------

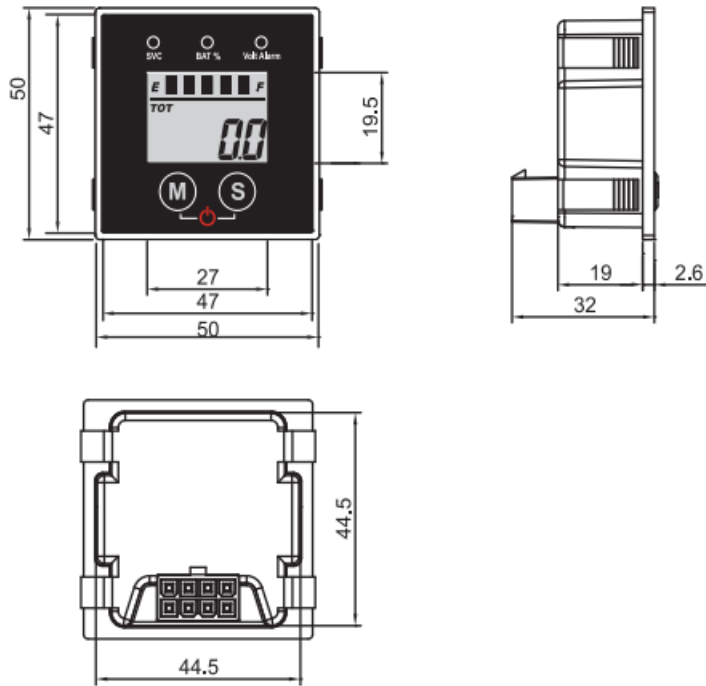
Approvals

Declarations	CE, RoHS
Hazardous Area Certification	None
Standards Met	CE.

Similar Products

Stock No.	Brand	Product Name	Bezel format
2337809	RS PRO	Battery 'Fuel-Gauge' & Maintenance Hours Run Counter	Circular Bezel

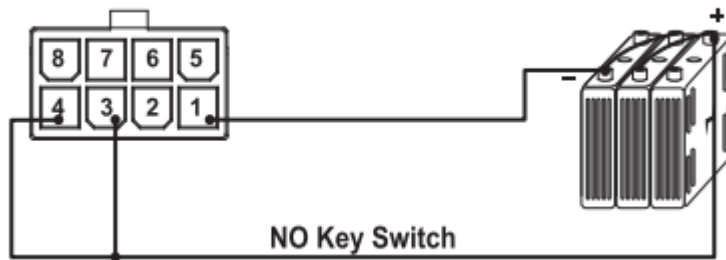
Dimensions



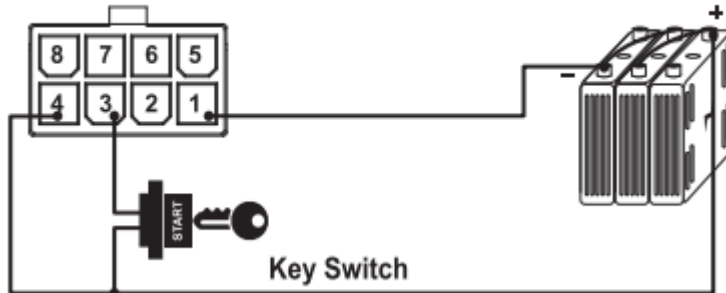
Unit: mm

Connection Examples

NO Key Switch, Direct Connection

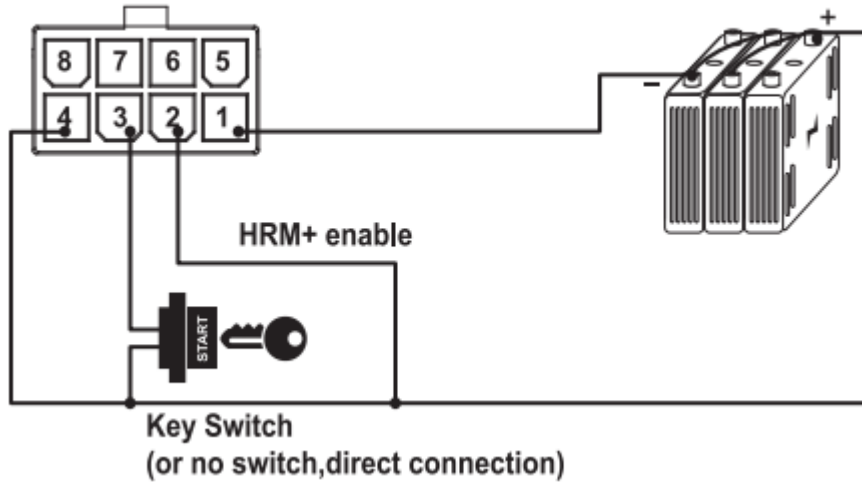


Key Switch Connection

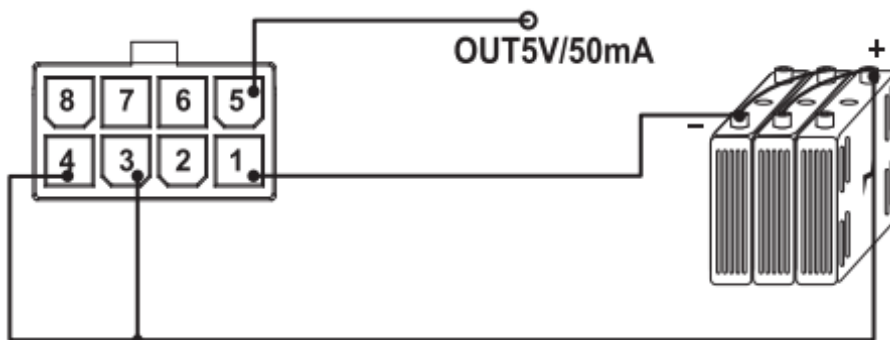
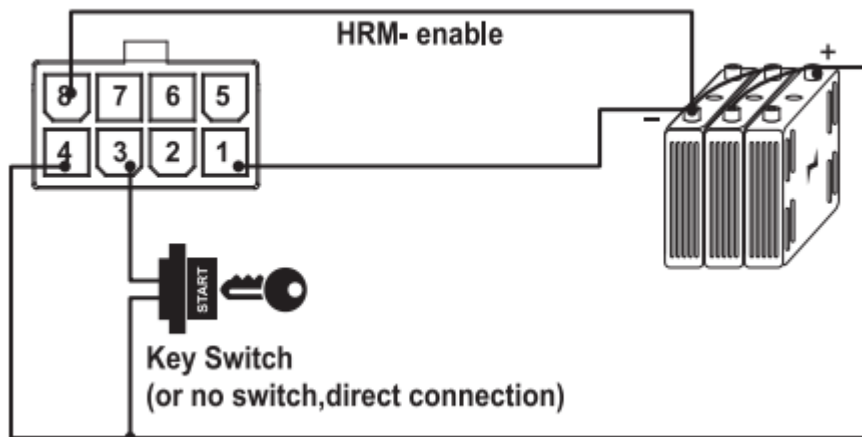


Connection Examples (Cont'd)

HRM+ enable timing



HRM- enable timing



Pin Connections

- The pin function of the 8-hole connector is as follows:



Pin NO.	Pin mark	Pin meaning	Description
1	B-	Input negative power supply	Connected to the negative pole of the battery
2	HRM+	High level timing terminal	With a high level trigger, the timer starts timing
3	Key Switch	Key switch	Connect the key switch to control the display and off of the LCD screen.
4	B+	Input positive power supply	Connected to the positive pole of the battery
5	OUT 5V	Output terminal	Output 5V voltage
6	N/A	Standby	ODM custom pin function. (factory implementation)
7	N/A	Standby	ODM custom pin function. (factory implementation)
8	HRM-	Low level timing terminal	With a low level trigger, the timer starts timing.