

Black Nylon Hole Blanking Grommet Kit

FEATURES

- Black Nylon 6,6 blanking grommets with convex matt finished head
- Locating lugs designed for a firm fit
- Provides a neat and attractive finish
- Blank holes from 4.8mm to 45mm diameter

RS PRO Black Nylon 6,6 Hole Blanking Grommet Kit – 4.8mm to 45mm dia.

RS/TR Stock No.: 2326875

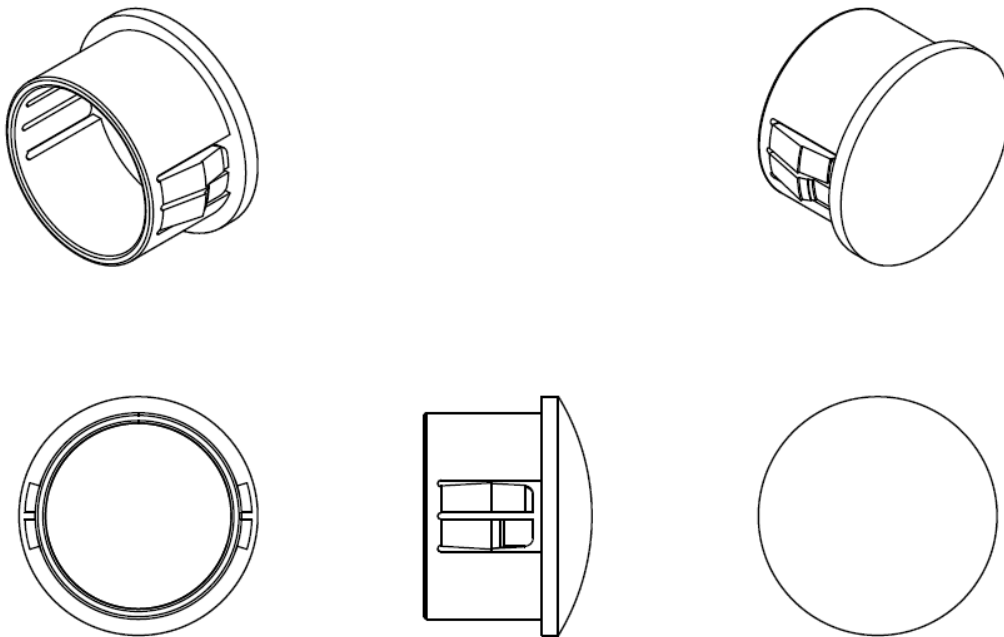


RS Professionally Approved Products bring to you professional quality parts across all product categories. Our product range has been tested by engineers and provides a comparable quality to the leading brands without paying a premium price.

Black Nylon Hole Blanking Grommet Kit

Product Description

RS Pro black Nylon 6,6 hole blanking grommet kit includes 263 grommets in 18 different sizes suitable for holes between 4.8mm and 45mm diameter and panel thickness from 1.8mm to 3.2mm.



Specifications

Material	Nylon 6,6
Colour	Black
Number of Pieces	263
Number of Sizes	18
Maximum Operating Temperature	+105°C
Minimum Operating Temperature	-20°C
Material Flammability	UL94V-2

Black Nylon Hole Blanking Grommet Kit

Approvals

Third Party Approvals

UL & CSA

Kit Contents

Mounting hole dia. Montageloch-Durchmesser Diamètre du trou de montage Diametro del foro di montaggio	4.8	6.4	8.0	9.5	11.0	12.7
Max. chassis thickness Maximum-Chassisdicke Epaisseur maximum du châssis Spessore massimo del telaio	1.6	1.6	1.6	3.2	3.2	3.2
Head dia. (A) Kopfdurch-messer (A) Diamètre de la tête. (A) Diametro della testa (A)	6.4	7.9	9.5	11.9	13.5	14.7
Overall height (B) Gesamthöhe (B) Hauteur totale (B) Altezza totale (B)	5.9	7.9	7.7	10.3	10.3	10.3
Mounting hole dia. Montageloch-Durchmesser Diamètre du trou de montage Diametro del foro di montaggio	14.3	15.9	17.5	19.0	20.6	22.2
Max. chassis thickness Maximum-Chassisdicke Epaisseur maximum du châssis Spessore massimo del telaio	3.2	3.2	3.2	3.2	3.2	3.2
Head dia. (A) Kopfdurch-messer (A) Diamètre de la tête. (A) Diametro della testa (A)	16.7	18.2	19.8	23.4	22.6	25.8
Overall height (B) Gesamthöhe (B) Hauteur totale (B) Altezza totale (B)	10.3	10.3	10.3	10.3	10.3	11.5
Mounting hole dia. Montageloch-Durchmesser Diamètre du trou de montage Diametro del foro di montaggio	25.4	27.8 to 28.6	32.0	35.0	38.0	45.0
Max. chassis thickness Maximum-Chassisdicke Epaisseur maximum du châssis Spessore massimo del telaio	3.2	3.2	3.2	3.2	3.2	3.2
Head dia. (A) Kopfdurch-messer (A) Diamètre de la tête. (A) Diametro della testa (A)	30.6	30.9	34.9	38.1	42.4	48.4
Overall height (B) Gesamthöhe (B) Hauteur totale (B) Altezza totale (B)	11.5	11.5	11.5	11.5	11.5	11.5

