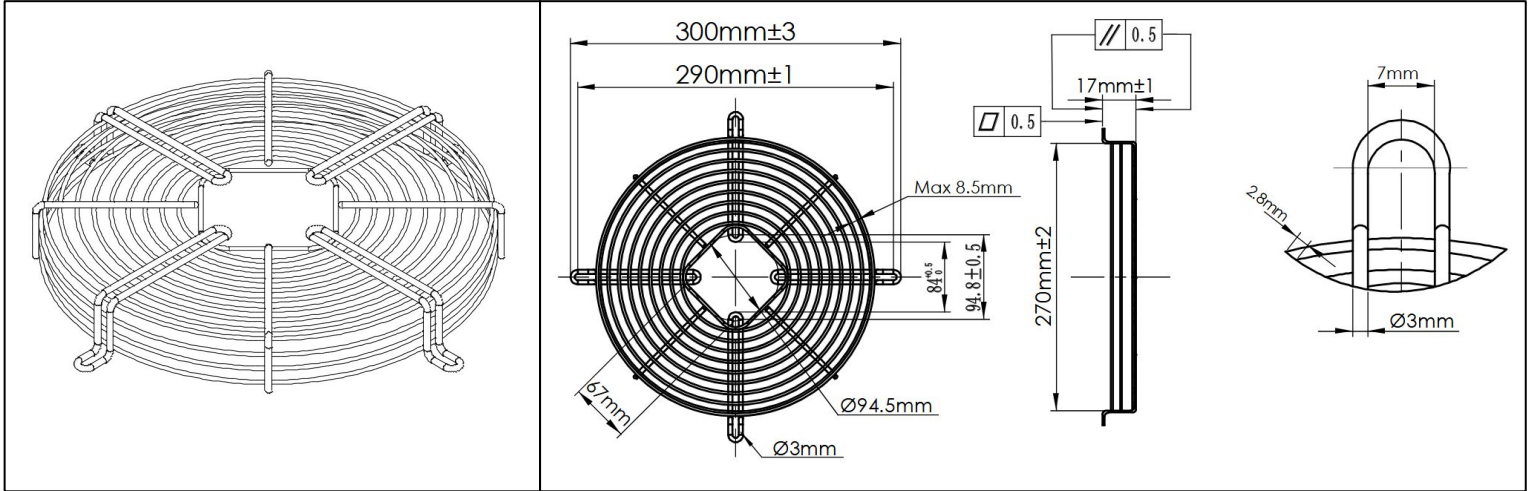


G250-17



Impeller Grille for OAM Open Frame Motor Series



Material	Steel, Black Finish
Mount Hole Spacing	270~290mm
Height	17mm±1
Max Fastener Diameter	7mm
Grid Wire Spacing	≤ 8.5mm