



### Main

Range of Product	Modicon Momentum automation platform
Product or Component Type	Discrete inputs base AC
Group of channels	2 groups of 8 inputs
Discrete input number	16 IEC 1131-2 Type 2
Discrete input voltage	230 V AC
Protective treatment	TC

### Complementary

Discrete input logic	Positive
Input voltage limits	164...253 V
Network Frequency	47...63 Hz
Voltage range	163...253 V
Voltage state 0 guaranteed	<= 40 V
Voltage state 1 guaranteed	>= 164 V
Current state 0 guaranteed	<= 2 mA
Current state 1 guaranteed	>= 10 mA
Input resistance	7.5 KOhm 60 Hz 9 kOhm 50 Hz
Response time	13.3 ms 60 Hz from state 0 to state 1 13.3 ms 60 Hz from state 1 to state 0
Isolation between group	1780 V AC
Isolation between channels and bus	1780 V AC
Terminals description PLC n°1	(8)IN_DIS#8 (7)IN_DIS#7 (5)IN_DIS#5 (16)IN_DIS#16 (12)IN_DIS#12 (2)IN_DIS#2 (14)IN_DIS#14 (15)IN_DIS#15 (N)PW (11)IN_DIS#11 (4)IN_DIS#4 (9)IN_DIS#9 (L1)PW (3)IN_DIS#3 (6)IN_DIS#6 TB (13)IN_DIS#13 (1)IN_DIS#1 (10)IN_DIS#10
Marking	CE
Local signalling	For channel status 16 LEDs
Current consumption	<= 125 mA 230 V AC
Depth	1.87 in (47.5 mm)
Height	5.57 in (141.5 mm)
Width	4.92 in (125 mm)
Net Weight	0.63 lb(US) (0.284 kg)

## Environment

Product Certifications	CSA UL
Resistance to electrostatic discharge	4 KV contact IEC 801-2 8 kV on air IEC 801-2
Resistance to electromagnetic fields	9.14 V/m (10 V/m) 80...1000 MHz IEC 801-3
Ambient Air Temperature for Operation	32...140 °F (0...60 °C)
Ambient Air Temperature for Storage	-40...185 °F (-40...85 °C)
Relative Humidity	95 % without condensation
Operating altitude	<= 16404.2 ft (5000 m)

## Ordering and shipping details

Category	18206-MOMENTUM PROCESSORS,I/O BASES,CONN.
Discount Schedule	PC31
GTIN	3595861147539
Nbr. of units in pkg.	1
Package weight(Lbs)	16.40 oz (465.0 g)
Returnability	No
Country of origin	ID

## Packing Units

Unit Type of Package 1	PCE
Package 1 Height	3.54 in (9 cm)
Package 1 width	7.09 in (18 cm)
Package 1 Length	10.24 in (26 cm)
Unit Type of Package 2	S03
Number of Units in Package 2	6
Package 2 Weight	6.15 lb(US) (2.79 kg)
Package 2 Height	11.81 in (30 cm)
Package 2 width	11.81 in (30 cm)
Package 2 Length	15.75 in (40 cm)

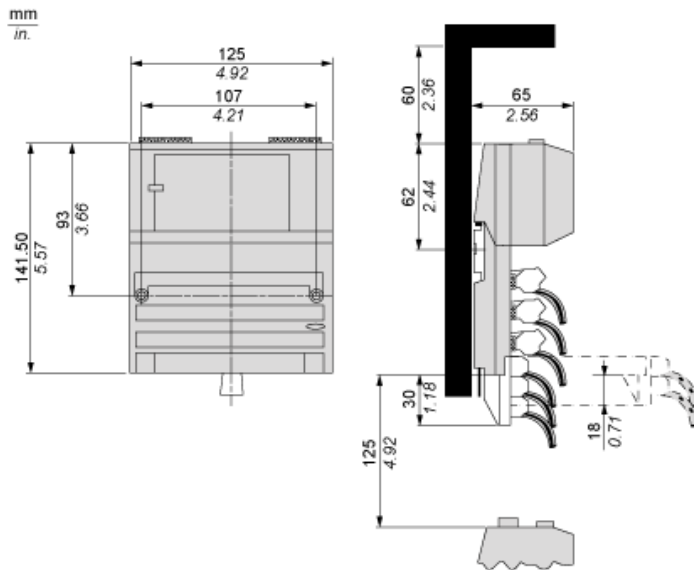
## Offer Sustainability

Sustainable offer status	Green Premium product
California proposition 65	WARNING: This product can expose you to chemicals including: Lead and lead compounds, which is known to the State of California to cause cancer and birth defects or other reproductive harm. For more information go to <a href="http://www.P65Warnings.ca.gov">www.P65Warnings.ca.gov</a>
REACH Regulation	<a href="#">REACH Declaration</a>
EU RoHS Directive	Pro-active compliance (Product out of EU RoHS legal scope) <a href="#">EU RoHS Declaration</a>
Mercury free	Yes
RoHS exemption information	<a href="#">Yes</a>
China RoHS Regulation	<a href="#">China RoHS Declaration</a>
Environmental Disclosure	<a href="#">Product Environmental Profile</a>
Circularity Profile	<a href="#">End Of Life Information</a>
WEEE	The product must be disposed on European Union markets following specific waste collection and never end up in rubbish bins.

## Contractual warranty

Warranty	18 months
----------	-----------

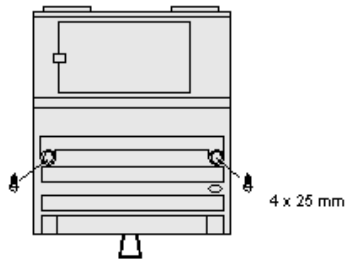
Standard Adapter on a Discrete VAC Base



---

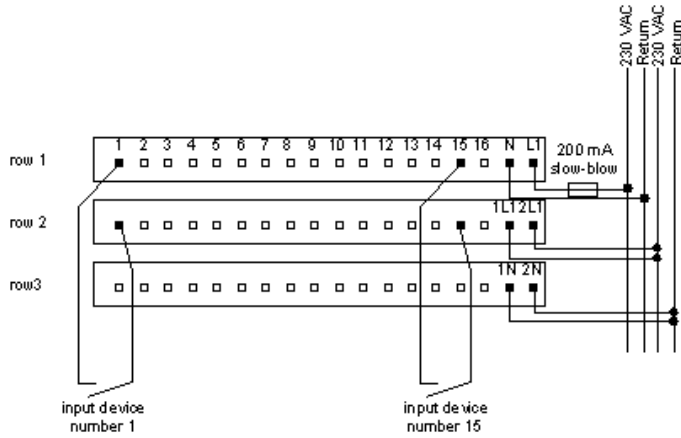
Mounting on a Wall

---

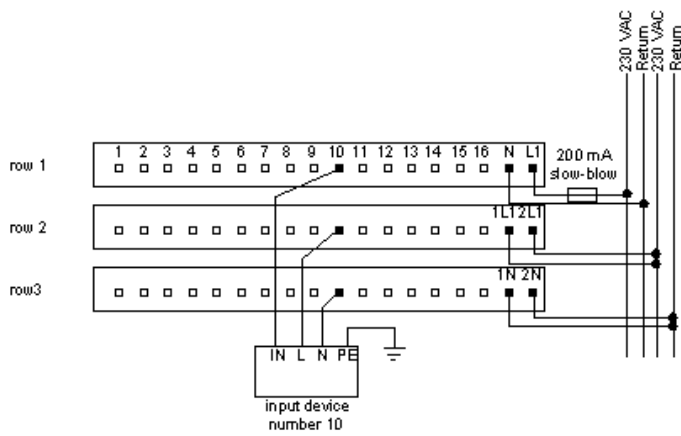


External Wiring Diagrams

2-Wire Devices



3-Wire Device



Internal Pin Connections

