

KT-LED9.5PAR30S-F-9XX REPLACEMENT LAMP



DESCRIPTION

9.5W PAR30 Lamp | 2700–5000K | >90 CRI | Standard Short Neck Flood

LAMP TYPE: PAR30
BASE TYPE: E26 (Medium)
WATTAGE: 9.5W
COLOR TEMPERATURE: 2700–5000K
COLOR RENDERING INDEX (CRI): >90
WARRANTY: 3 Years
RATED LIFE: L70 (25,000 Hours)



TYPICAL APPLICATIONS

- Track Lighting
- Display
- Flood and SpotLighting
- Outdoor fixtures (with suitable protection from the elements)

PRODUCT FEATURES

- Energy Efficient, 80%+ Energy Savings over Legacy Equivalents
- Lower Heat Generation than Legacy Equivalents
- HiCRI LED's offer enhanced color rendering vs 80 CRI LED's, providing ideal clarity, representation, and uniformity of illuminated area/objects
- PF >0.90
- Complies with Part 15 of FCC
- Title 24 JA8 compliant with 3000K and below
- Title 20 Compliant
- Operating temperature range –4°F/–20°C to 113°F/45°C
- Long Life minimizes replacement and maintenance costs
- ANSI complaint construction ensures fitment for intended applications
- Meets Energy Star requirements
- UL Listed
- Rated for use in wet location
- Smooth, uniform dimming
- Precision crafted full face optics for precise beam angle control
- Durable Plastic housing lowers the risk for breakage

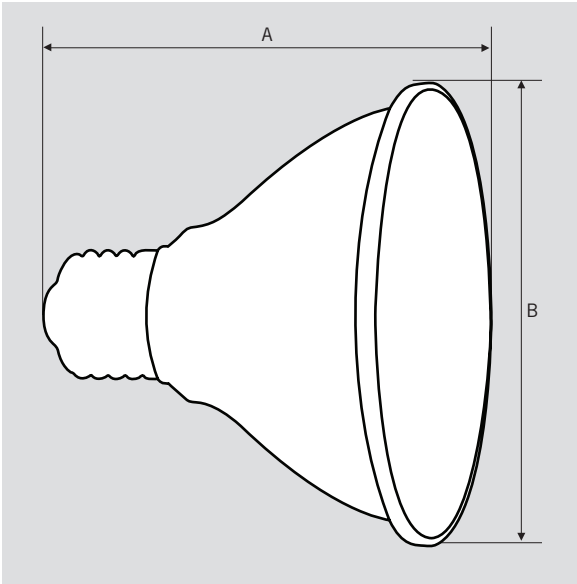
ELECTRICAL AND PERFORMANCE SPECIFICATIONS

Keystone Catalog Number	Description	Color Temp	Input Voltage	Rated Lamp Wattage	Legacy Equivalent Wattage	Base Type	Lumens	Energy Star CBCP	CRI	Light Distribution	Dimmable	Efficacy
KT-LED9.5PAR30S-F-927	PAR30 bulb. Standard short neck flood, dimmable	2700K	120V	9.5W	75W halogen	E26	800	1688	>90	40°	Yes	84 lm/W
KT-LED9.5PAR30S-F-930	PAR30 bulb. Standard short neck flood, dimmable	3000K	120V	9.5W	75W halogen	E26	800	1659	>90	40°	Yes	84 lm/W
KT-LED9.5PAR30S-F-940	PAR30 bulb. Standard short neck flood, dimmable	4000K	120V	9.5W	75W halogen	E26	800	1933	>90	40°	Yes	84 lm/W
KT-LED9.5PAR30S-F-950	PAR30 bulb. Standard short neck flood, dimmable	5000K	120V	9.5W	75W halogen	E26	800	1915	>90	40°	Yes	84 lm/W

KT-LED9.5PAR30S-F-9XX

REPLACEMENT LAMP

PHYSICAL CHARACTERISTICS



PACKAGING

Carton Quantity	24 pcs
Carton Dimensions	17.13" × 12.80" × 9.65"
Carton Weight	12.4 lbs

LAMP DIMENSIONS

A (Length)	3.35"
B (Diameter)	3.74"

BASE TYPE: E26 (Medium)

ORDERING INFORMATION

ORDER CODE	CARTON QUANTITY	ITEM STATUS
KT-LED9.5PAR30S-F-9XX	24 pcs	Active

CATALOG NUMBER BREAKDOWN

KT-LED9.5PAR30S-F-9XX

1 2 3 4 5 6 7 8

- 1 Keystone Technologies
- 2 LED Lamp
- 3 Wattage
- 4 Lamp Shape
- 5 Short Neck
- 6 Standard Flood
- 7 900 Series
- 8 Color Temperature