



### Main

Range of Product	Modicon Quantum automation platform
Product or Component Type	VAC discrete input modules
Software name	Unity Pro Concept ProWORX 32
Discrete input number	16

### Complementary

Group of channels	2
Addressing requirement	1 input word
Discrete input voltage	115 V AC
Input current	11.1 MA 57...63 Hz 13.2 mA 47...53 Hz
Voltage state 1 guaranteed	79...132 V AC 57...63 Hz 85...132 V AC 47...53 Hz
Voltage state 0 guaranteed	0...20 V AC 57...63 Hz 0...20 V AC 47...53 Hz
Input impedance	12000 Ohm capacitive 57...63 Hz 14400 Ohm capacitive 47...53 Hz
Network frequency limits	47...63 Hz
Maximum leakage current	2.1 mA
Absolute maximum input	132 V continuous 156 V 10 s 200 V 1 cycle
Response Time	4.9...0.75 ms x line cycle Off-On 7.3...12.3 ms On-Off
Isolation between group	1780 Vrms for 1 minute
Isolation between group and bus	1780 Vrms for 1 minute
Bus current requirement	180 mA
Maximum power dissipation in W	5.5 W
Local signalling	For bus communication is present (Active) 1 LED (green) For external fault detected (F) 1 LED (red) For input status 16 LEDs (green)
Marking	CE
Module format	Standard
Net Weight	0.66 lb(US) (0.3 kg)

## Environment

Standards	CSA C22.2 No 142 UL 508
Product Certifications	CUL FM Class 1 Division 2
Resistance to electrostatic discharge	4 KV contact IEC 801-2 8 kV on air IEC 801-2
Resistance to electromagnetic fields	9.14 V/m (10 V/m) 80...2000 MHz IEC 801-3
Ambient Air Temperature for Operation	32...140 °F (0...60 °C)
Ambient Air Temperature for Storage	-40...185 °F (-40...85 °C)
Relative Humidity	95 % without condensation
Operating altitude	<= 16404.2 ft (5000 m)

## Ordering and shipping details

Category	18155-QUANTUM I/O & POWER SUPPLIES
Discount Schedule	PC21
GTIN	3595861126923
Nbr. of units in pkg.	1
Package weight(Lbs)	15.38 oz (436.0 g)
Returnability	No
Country of origin	CN

## Packing Units

Unit Type of Package 1	PCE
Package 1 Height	6.42 in (16.3 cm)
Package 1 width	1.77 in (4.5 cm)
Package 1 Length	12.28 in (31.2 cm)
Unit Type of Package 2	S03
Number of Units in Package 2	7
Package 2 Weight	7.65 lb(US) (3.469 kg)
Package 2 Height	11.81 in (30.0 cm)
Package 2 width	11.81 in (30.0 cm)
Package 2 Length	15.75 in (40.0 cm)

## Offer Sustainability

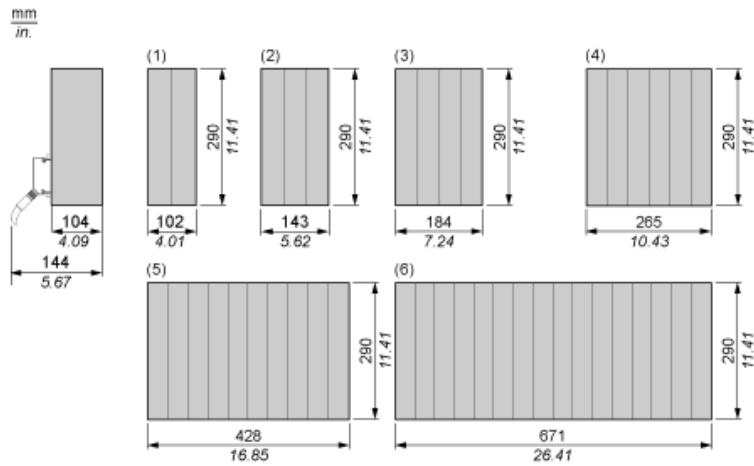
Sustainable offer status	Green Premium product
California proposition 65	WARNING: This product can expose you to chemicals including: Lead and lead compounds, which is known to the State of California to cause cancer and birth defects or other reproductive harm. For more information go to <a href="http://www.P65Warnings.ca.gov">www.P65Warnings.ca.gov</a>
REACH Regulation	<a href="#">REACH Declaration</a>
REACH free of SVHC	Yes
EU RoHS Directive	Pro-active compliance (Product out of EU RoHS legal scope) <a href="#">EU RoHS Declaration</a>
Mercury free	Yes
RoHS exemption information	<a href="#">Yes</a>
China RoHS Regulation	<a href="#">China RoHS Declaration</a>
Environmental Disclosure	<a href="#">Product Environmental Profile</a>
Circularity Profile	<a href="#">End Of Life Information</a>
WEEE	The product must be disposed on European Union markets following specific waste collection and never end up in rubbish bins.

## Contractual warranty

Warranty	18 months
----------	-----------

Racks for Modules Mounting

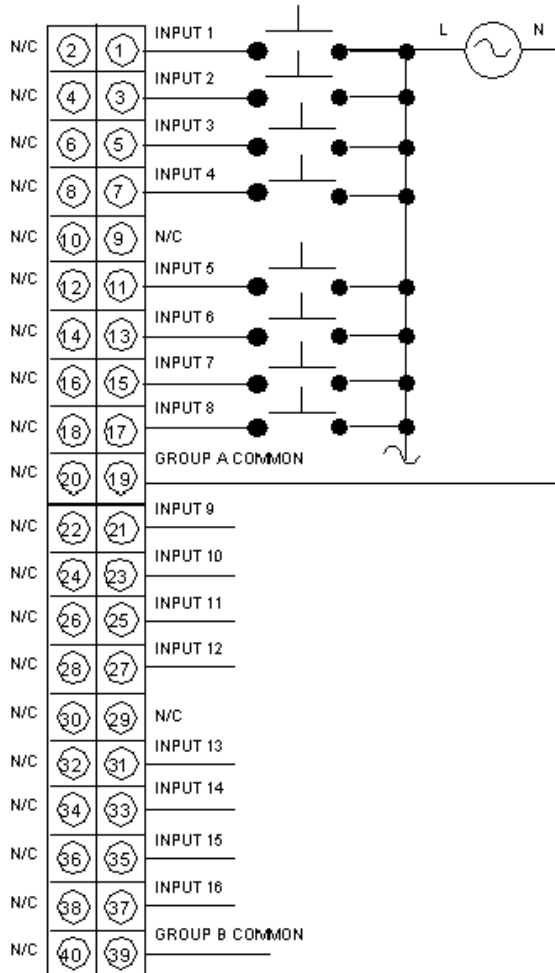
Dimensions of Modules and Racks



- (1) 2 slots
- (2) 3 slots
- (3) 4 slots
- (4) 6 slots
- (5) 10 slots
- (6) 16 slots

115 Vac Discrete Input Module

Wiring Diagram



N/C Not Connected

NOTE: All inputs in a group must be from the same phase of line input voltage.