

## KT-LED10PAR30S-NF-8XX REPLACEMENT LAMP

### DESCRIPTION

10W PAR30 Lamp | 2700–5000K | >80 CRI | Narrow Short Neck Flood



RoHS  
 Compliant

**3YEAR**  
 WARRANTY

<b>LAMP TYPE:</b> PAR30
<b>BASE TYPE:</b> E26 (Medium)
<b>WATTAGE:</b> 10W
<b>COLOR TEMPERATURE:</b> 2700–5000K
<b>COLOR RENDERING INDEX (CRI):</b> >80
<b>WARRANTY:</b> 3 Years
<b>RATED LIFE:</b> L70 (25,000 Hours)



### TYPICAL APPLICATIONS

- Track Lighting
- Display
- Flood and SpotLighting
- Outdoor fixtures (with suitable protection from the elements)

### PRODUCT FEATURES

- Energy Efficient, 80%+ Energy Savings over Legacy Equivalents
- Lower Heat Generation than Legacy Equivalents
- PF >0.90
- Complies with Part 15 of FCC
- Smooth, uniform dimming
- Precision crafted full face optics for precise beam angle control
- Durable Plastic housing lowers the risk for breakage
- Operating temperature range –4°F/–20°C to 113°F/45°C
- Long Life minimizes replacement and maintenance costs
- ANSI complaint construction ensures fitment for intended applications
- Meets Energy Star requirements
- UL Listed
- Rated for use in wet location

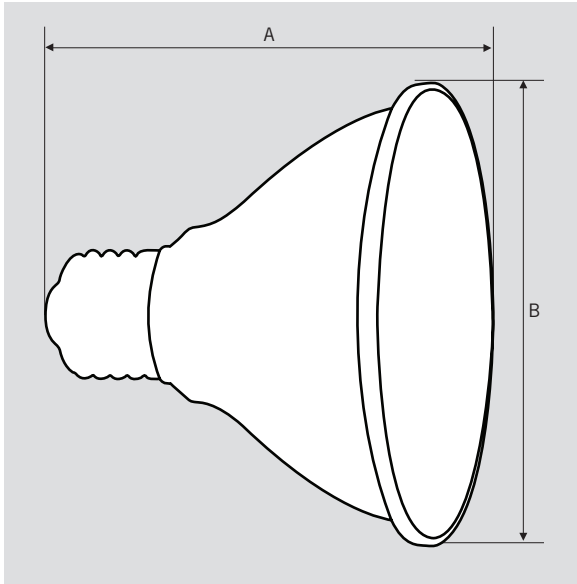
### ELECTRICAL AND PERFORMANCE SPECIFICATIONS

Keystone Catalog Number	Description	Color Temp	Input Voltage	Rated Lamp Wattage	Legacy Equivalent Wattage	Base Type	Lumens	Energy Star CBCP	CRI	Light Distribution	Dimmable	Efficacy
KT-LED10PAR30S-NF-827	PAR30 bulb. Narrow short neck flood, dimmable	2700K	120V	10W	75W halogen	E26	900	TBD	>90	25°	Yes	90 lm/W
KT-LED10PAR30S-NF-830	PAR30 bulb. Narrow short neck flood, dimmable	3000K	120V	10W	75W halogen	E26	900	TBD	>90	25°	Yes	90 lm/W
KT-LED10PAR30S-NF-840	PAR30 bulb. Narrow short neck flood, dimmable	4000K	120V	10W	75W halogen	E26	900	TBD	>90	25°	Yes	90 lm/W
KT-LED10PAR30S-NF-850	PAR30 bulb. Narrow short neck flood, dimmable	5000K	120V	10W	75W halogen	E26	900	TBD	>90	25°	Yes	90 lm/W

# KT-LED10PAR30S-NF-8XX

## REPLACEMENT LAMP

### PHYSICAL CHARACTERISTICS



### PACKAGING

Carton Quantity	24 pcs
Carton Dimensions	17.13" × 12.80" × 9.65"
Carton Weight	14 lbs

### LAMP DIMENSIONS

A (Length)	3.35"
B (Diameter)	3.74"

BASE TYPE: E26 (Medium)

### ORDERING INFORMATION

ORDER CODE	CARTON QUANTITY	ITEM STATUS
KT-LED10PAR30S-NF-8XX	24 pcs	Active

### CATALOG NUMBER BREAKDOWN

# KT-LED10PAR30S-NF-8XX

1 2 3 4 5 6 7 8

- 1 Keystone Technologies
- 2 LED Lamp
- 3 Wattage
- 4 Lamp Shape
- 5 Short Neck
- 6 Narrow Flood
- 7 800 Series
- 8 Color Temperature