



KT-DDSLEDFA8-8-2L

8', 2-LAMP STRIP FIXTURE



DESCRIPTION

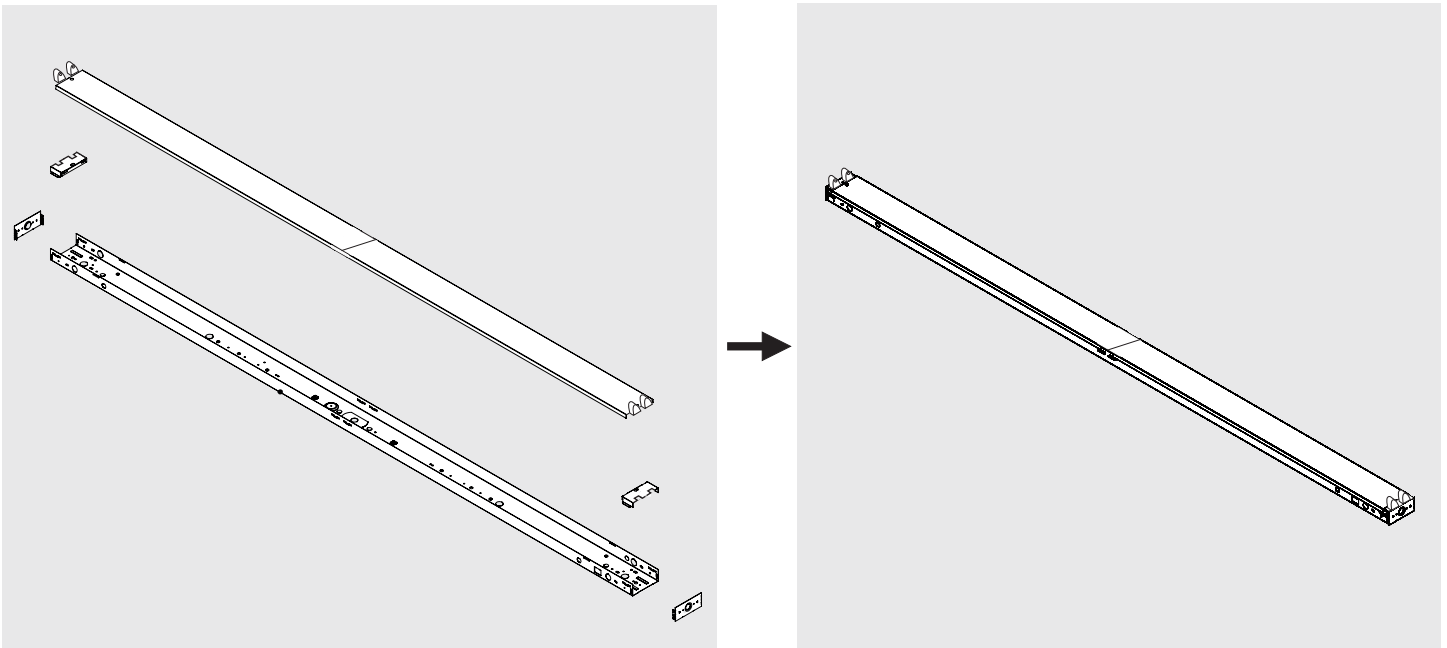
8' LED Tube ready strip fixture, 2 lamp. (lamps sold separately)

APPLICATION

Used for indoor highbay, lowbay, warehouse and general lighting applications.

PRODUCT FEATURES

- Designed for use with 8' double ended wiring (type B) LED T8 tubes, includes pre-wired sockets
- Post painted white steel body
- Rated for damp and dry locations
- Designed only for use with Keystone 8' double ended wiring DirectDrive T8HE LED lamps: 43W max per lamp
- Uses FA8 sockets





KT-DDSLEDFA8-8-2L

8', 2-LAMP STRIP FIXTURE

ORDERING INFORMATION

ORDER CODE	PACK QTY.	EASY CODE	UPC
KT-DDSLEDFA8-8-2L	1	XJQ-35	843654121109

CATALOG NUMBER BREAKDOWN

KT-DDSLEDFA8-8-2L

1 2 3 4 5 6 7

- 1 Keystone Technologies
- 2 Direct Drive
- 3 Strip Fixture
- 4 LED Lamp
- 5 FA8 Sockets
- 6 8' Nominal Size
- 7 2 Lamps

Note: In order for UL safety certification to be valid, only Keystone lamps may be installed in the fixture as per product label.