



XFIT | SMALL LOW PROFILE WALL PACK FIXTURES

KT-WPLED20-S1-8XX-VDIM SMALL 20W NON-CUTOFF LED WALL PACK

DESCRIPTION

Small 20W Non-Cutoff LED Wall Pack | 120–277V Input | 3000–5000K | Low Profile Bronze Housing | Impact Resistant Lens

APPLICATION

Building Mount for exterior illumination (entryways, pathways, stairwells, security, and other general site lighting requirements)



PRODUCT FEATURES

- Small non-cutoff design can be mounted virtually anywhere, offering uniform vertical and horizontal distribution pattern for general safety and security illumination needs
- Heavy-duty die-cast aluminum housing features modern aesthetics and includes (3) available 1/2" threaded conduit hubs, (1) on back and (1) on each side
- Powered by Keystone 0–10V dimming LED drivers
- Built-in dusk-to-dawn photocell behind translucent 1/2" threaded plug with anti-yellowing agent
- ADA Compliant with low-profile housing less than 4" deep
- Impact-resistant and highly diffused polycarbonate lens with anti-yellowing agent offers reduced glare for low mounting height applications
- Ambient operating temperature: –40°C/–40°F to 50°C/122°F
- UL listed for wet locations, IP65
- 0–10V dimming, 10% min
- Power Factor: >0.95
- THD: <20%
- LED chip lifetime: L70 >100,000 hrs @ 25°C/77°F ambient fixture temp
- Meets FCC Part 15, Part B, Class A standards for conducted and radiated emissions
- Fixture impact rating IK07

ELECTRICAL SPECIFICATIONS

Catalog Number	Wattage	Lumens	Lumens Below 90°	Dimming	CCT*	Efficacy	CRI	Housing Color	Input Voltage	Rated Life	Legacy Equivalent
KT-WPLED20-S1-840-VDIM	20W	2500 lm	2250 lm	0–10V	4000K	125 lm/W	>80	Bronze	120–277V	50,000 hrs	50–70W MH
KT-WPLED20-S1-850-VDIM					5000K						

* Color Uniformity: CCT (Correlated Color Temperature) range as per guidelines outlined in ANSI C78.377-2017

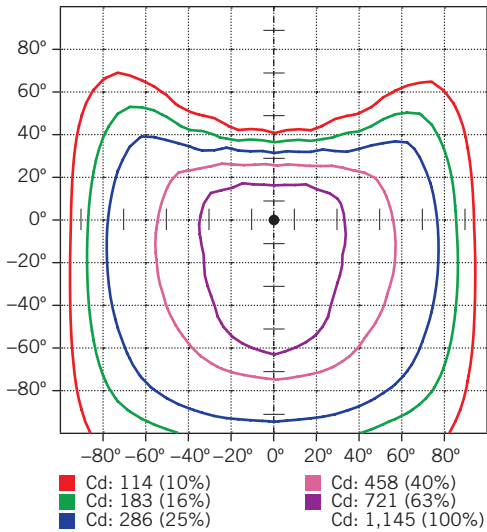


XFIT | SMALL LOW PROFILE WALL PACK FIXTURES

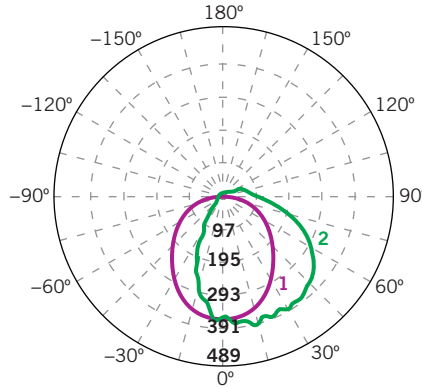
KT-WPLED20-S1-8XX-VDIM SMALL 20W NON-CUTOFF LED WALL PACK

PHOTOMETRIC SPECIFICATIONS

ISOCANDELA PLOT



LUMINOUS INTENSITY DISTRIBUTION



FLUX DISTRIBUTION

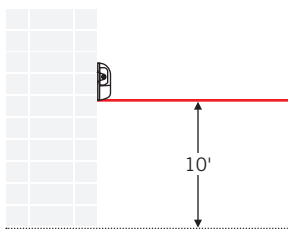
Zone	Lumens	% Luminaire
Forward Light	1,653 lm	64.0%
0°-30°	379 lm	14.7%
30°-60°	758 lm	29.4%
60°-80°	400 lm	15.5%
80°-90°	116 lm	4.5%
Back Light	667 lm	25.8%
0°-30°	264 lm	10.2%
30°-60°	283 lm	11.0%
60°-80°	97 lm	3.8%
80°-90°	23 lm	0.9%
Up Light	261 lm	10.1%
90°-100°	92 lm	3.5%
100°-180°	170 lm	6.6%

BUG* Rating	
Asymmetrical Luminaire Types	
Type I, II, III, IV	B1 U3 G1
Quadrilateral Symmetrical Luminaire Types	
Type V, Area Light	B1 U3 G1

* Backlight, Uplight, Glare

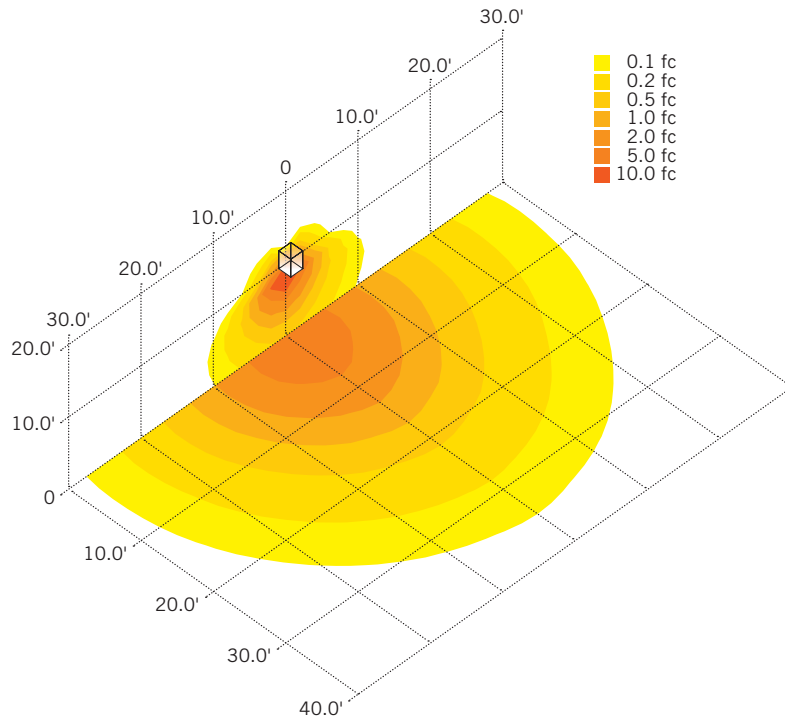
MOUNTING

Side view



LIGHT DISTRIBUTION PATTERN

Isometric view from above; Luminaire mounted at 10'

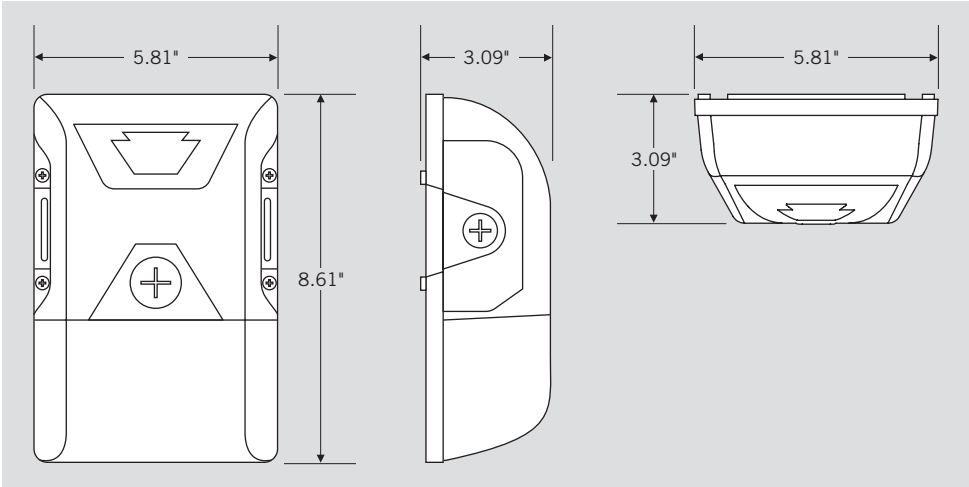




XFIT | SMALL LOW PROFILE WALL PACK FIXTURES

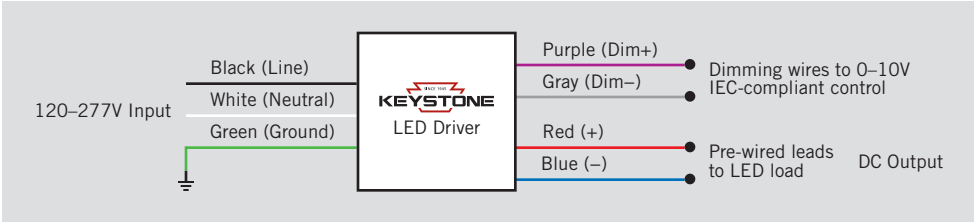
KT-WPLED20-S1-8XX-VDIM SMALL 20W NON-CUTOFF LED WALL PACK

PHYSICAL SPECIFICATIONS



GENERAL SETUP INSTRUCTIONS

GENERAL WIRING DIAGRAM

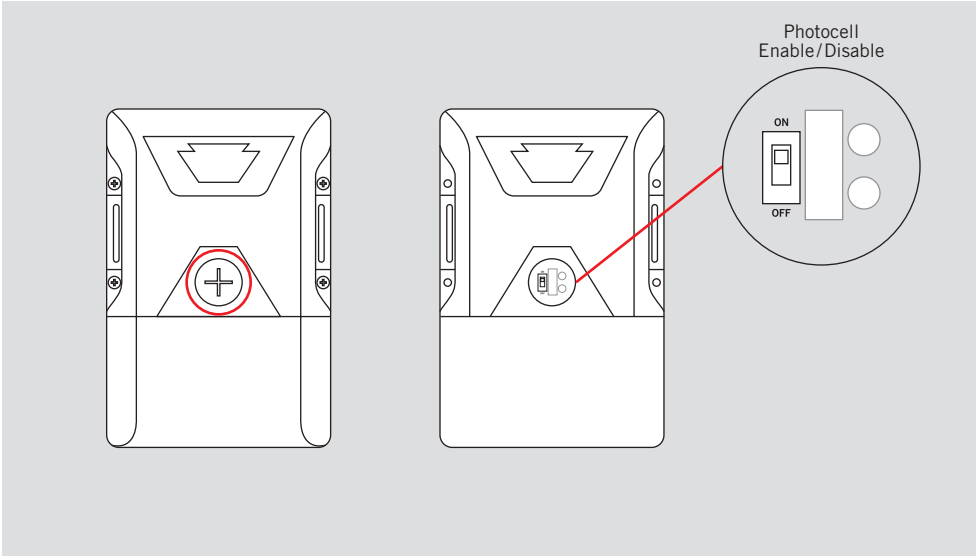


Caution: Before installing, make certain that AC power to the fixture is off.

Caution: The electrical rating of this product is 120-277V. Installer must confirm that there is 120-277V at the fixture before installation.

PHOTOCELL ENABLE/DISABLE

This fixture is equipped with a dusk-to-dawn photocell behind the translucent knock-out (KO) cover. Adjust the dip switch to enable (ON) or disable (OFF) the photocell function (see illustrations to the right). Fixture comes preset with photocell enabled unless otherwise noted.





KT-WPLED20-S1-8XX-VDIM

SMALL 20W NON-CUTOFF LED WALL PACK

ACCESSORY (SOLD SEPARATELY)

Catalog Number	Description
KTSP-10KV-C	Wall Pack 10kV Surge Protector, Compact Design

ORDERING INFORMATION

CATALOG NUMBER	PACK QTY.	EASY CODE	UPC
KT-WPLED20-S1-840-VDIM	1	TKE-18	843654129143
KT-WPLED20-S1-850-VDIM	1	DOV-45	843654129150

CATALOG NUMBER BREAKDOWN

KT-WPLED20-S1-8XX-VDIM

- 1
- 2
- 3
- 4
- 5
- 6
- 7
- 8
- 9
- 10
- 11

- 1 Keystone Technologies
- 2 Fixture Type
- 3 LED Lamp
- 4 Max Wattage
- 5 Size
- 6 Style
- 7 CRI
- 8 Color
- 9 Dimming
- 10 Housing Color
- 11 Sensor Options

2 Fixture Type

F	Flood
WP	Wallpack

5 Size

S	Small
M	Medium
L	Large

6 Style

1	Non-Cutoff
2	Full-Cutoff

7 CRI

8	>80
9	>90

8 Color

40	4000K
50	5000K

9 Dimming

VDIM	0-10V
------	-------

10 Housing Color

	Bronze
B	Black
W	White

11 Sensor Options

	No option
/MW	Microwave occupancy Sensor Installed