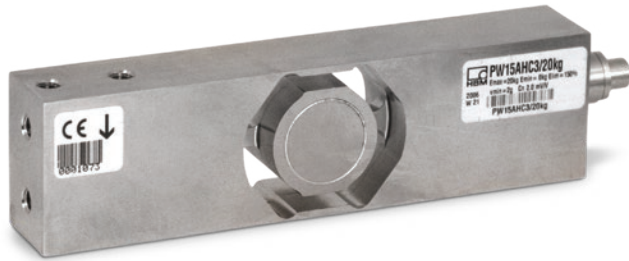


# SINGLE POINT PW15AH

Stainless Steel, Hermetically Sealed, NTEP Certified 1:5,000 Class III Single Cell, OIML CE, IP69K

HBM



## APPROVALS



## Interchangeable Products

RICE LAKE WEIGHING SYSTEMS

RLPWM15.....page 189

FLINTEC®

PC4.....page 254

## Specifications

### Full Scale Output:

2.0 mV/V

### Output Resistance:

350 (± 10) ohms

### Input Resistance:

380 (± 15) ohms

### Material/Finish:

Stainless steel

### Temperature:

Compensated range  
14°F to 104°F (-10°C to 40°C)  
Operating range  
0° F to 150° F (-18° C to 65° C)

### Seal Type:

Hermetically sealed, IP69K

### Safe Overload:

150% full scale

### Rated Excitation:

5-10 VDC (15 V maximum)

### Combined Error:

0.02% full scale

### Insulation Resistance:

1,000 megohms

### Cable Length:

10 ft

### Cable Diameter:

0.212 in PVC jacket

### Cable Color Code:

Blue +Excitation  
Black -Excitation  
White +Signal  
Red -Signal  
Green +Sense  
Grey -Sense

### Warranty:

One-year limited warranty

### Approvals:

NTEP  
OIML  
FM

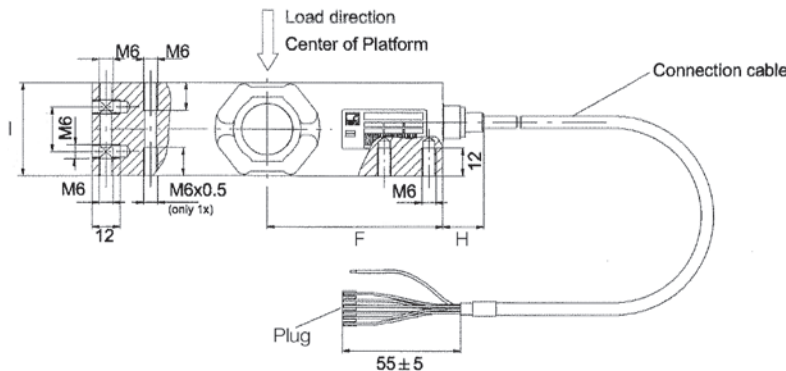
## Dimensions

Picture is a representation of actual product

Rated Capacity	B	E	F	G	H	I	J
kg/mm							
10-100	19.0	25.0	75.0	100.0	17.5	40.0	150.0

## Order Information

Load Rating	Part #	Est. Weight	Price
10 kg	101915	3 lb	Consult
20 kg	101916	3 lb	Consult
50 kg	101917	3 lb	Consult
100 kg	101918	3 lb	Consult



### Mounting:

Cylindrical head screw M6-10.9  
Tightening torque: 14 N·m

www.ricelake.com | Phone: 800-472-6703

