

Adjustable Handles, Modern Design Style “Novo-Grip”, with external thread, components in stainless steel, metric

Item description/product images



Description

Material:

Handle fiberglass reinforced plastic with die-cast zinc toothed ring.
Steel parts stainless steel 1.4305 (AISI 303 equivalent).

Version:

Steel parts bright.

Order information:

Threaded studs with dimension L=70 mm or greater are partially threaded, 60 mm.

On request:

Other threads, screw lengths and special versions.
Dimension “H1” available in other lengths at extra charge.

Drawing reference:

1) flat point DIN EN ISO 4753

K0270 Metric



Adjustable Handles, Modern Design Style “Novo-Grip”, with external thread, components in stainless steel, metric

Item description/product images



K0270 Metric



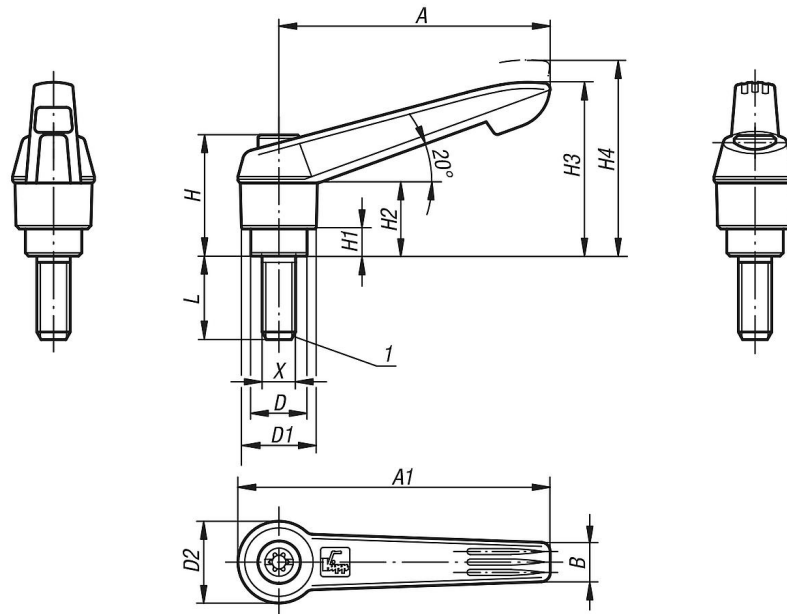
Adjustable Handles, Modern Design Style “Novo-Grip”, with external thread, components in stainless steel, metric

Item description/product images



Adjustable Handles, Modern Design Style “Novo-Grip”, with external thread, components in stainless steel, metric

Drawings



Adjustable Handles, Modern Design Style, external thread, components in stainless steel, metric

Item No.	X	A	A1	B	D	D1	D2	H	H1	H2	H3	H4	No. of teeth	L
K0270.105ΔX	M5	40	47	7,5	10	13	14,5	24,5	4	15	30	33,5	16	10/15/20/25
K0270.106ΔX	M6	40	47	7,5	10	13	14,5	24,5	4	15	30	33,5	16	10/15/20/25/30/40/50
K0270.206ΔX	M6	65	75	9,5	13,5	18	19,5	28,5	6,5	17,5	41,5	45,5	20	15/20/25/30/40/50/60
K0270.208ΔX	M8	65	75	9,5	13,5	18	19,5	28,5	6,5	17,5	41,5	45,5	20	15/20/25/30/40/50/60
K0270.210ΔX	M10	65	75	9,5	13,5	18	19,5	28,5	6,5	17,5	41,5	45,5	20	20/25/30/40/50/60
K0270.308ΔX	M8	80	91,5	11	16	21,5	23	37	10	24	53,5	58	22	20/25/30/40/50/60
K0270.310ΔX	M10	80	91,5	11	16	21,5	23	37	10	24	53,5	58	22	20/25/30/40/50/60
K0270.412ΔX	M12	95	109	13	19	25,5	27,5	43	10	26	61	66	24	25/30/40/50/60
K0270.516ΔX	M16	110	126	15,5	23	30	32,5	49	12	33	72	77	26	30/40/50/60