

Spring Plungers LONG-LOK ball style, hexagon socket, steel, standard end pressure, metric

Item description/product images

METRIC Parts



Description

Material:

body steel grade 5.8.
Ball steel.
Spring grade D steel wire.

LONG-LOK thread lock Nylon.

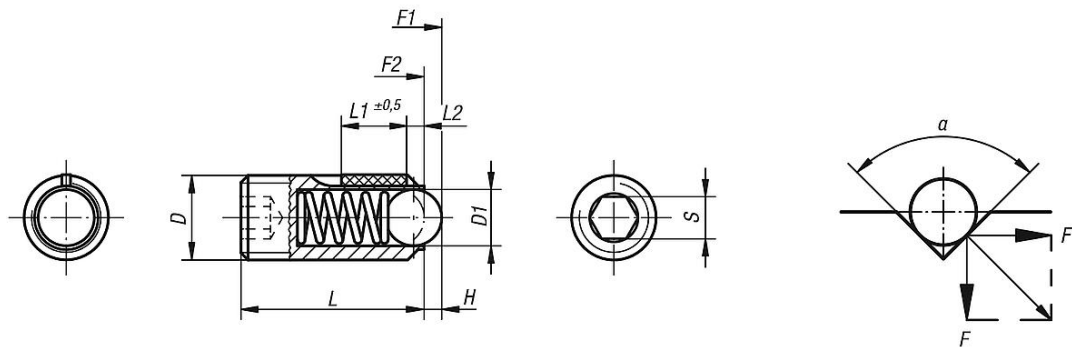
Version:

Black oxidized. Ball hardened.

Drawing reference:

L2 = approx. 2x thread pitch

Drawings



$$\begin{aligned} \alpha = 60^\circ, F' &= 1,732 \times F \\ \alpha = 90^\circ, F' &= F \\ \alpha = 120^\circ, F' &= 0,577 \times F \end{aligned}$$

Item No.	D	D1	H	L	L1	S	Spring force initial pressure F1 approx. N	Spring force final pressure F2 approx. N	Tightening torque approx. Nm	Loosening torque approx. Nm
K0325.03	M3	1,5	0,4	9	4	1,5	1,5	3	0,1	0,07
K0325.04	M4	2,5	0,8	10	5	2	4	10	0,18	0,12
K0325.05	M5	3	0,9	14	6	2,5	6	11	0,12	0,08
K0325.06	M6	3,5	1	15	7	3	9	13	0,44	0,21
K0325.08	M8	5	1,5	18	8	4	15	30	1,1	0,38
K0325.10	M10	6	2	23	9	5	20	40	1,3	0,6
K0325.12	M12	8	2,5	26	10	6	30	55	2	1,3
K0325.16	M16	10	3,5	33	14	8	65	125	3,9	3