

Spring Plungers LONG-LOK ball style, slotted, steel, heavy end pressure, inch

Item description/product images

INCH
Parts



Description

Material:

body steel grade 5.8.
Ball steel.
Spring steel wire grade D.

LONG-LOK thread lock Nylon.

Version:

Black oxidized. Ball hardened.

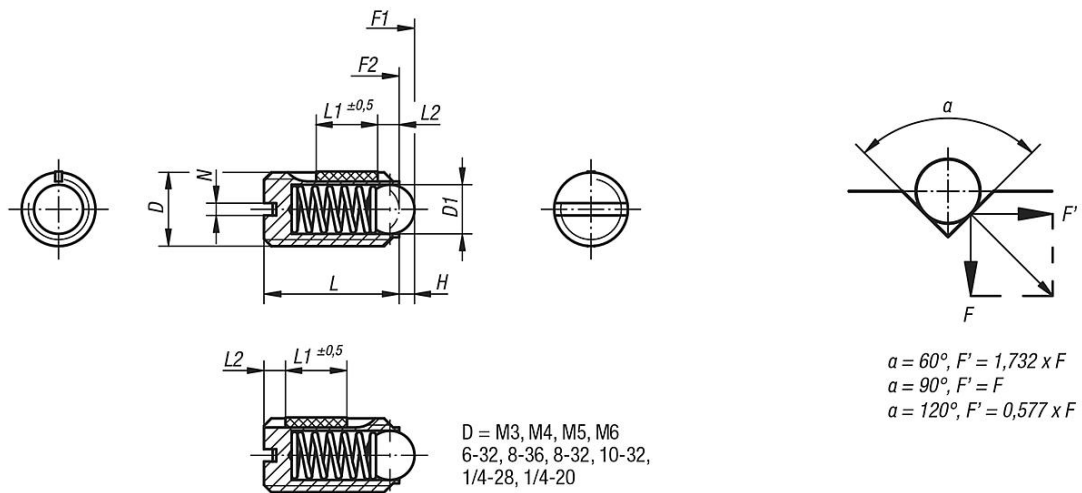
Note:

For the inch series, dimension D is in inches, all other dimensions are in mm.

Drawing reference:

L2 = approx. 2x thread pitch

Drawings



Item No.	D	D1	H	L	L1	N	Spring force initial pressure F1 approx. N	Spring force final pressure F2 approx. N	Tightening torque approx. Nm	Loosening torque approx. Nm
K0321.2A1	10-32	3	0,9	12	6	0,8	19	30	0,12	0,08
K0321.2AJ	1/4-28	3,5	1	14	7	1	28	40	0,43	0,21
K0321.2A2	1/4-20	3,5	1	14	7	1	28	40	0,43	0,21
K0321.2A3	5/16-18	5	1,5	16	8	1,2	47	73	1,09	0,37
K0321.2A4	3/8-16	6	2	19	9	1,6	66	100	1,36	0,62
K0321.2A5	1/2-13	8	2,5	22	10	2	66	120	2,03	1,36
K0321.2A6	5/8-11	10	3,5	24	14	2,5	90	180	3,95	2,95