

Spring Plungers LONG-LOK ball style, slotted, steel, standard end pressure, metric

Item description/product images

METRIC
Parts



Description

Material:

body steel grade 5.8.
Ball steel.
Spring steel wire grade D.

LONG-LOK thread lock Nylon.

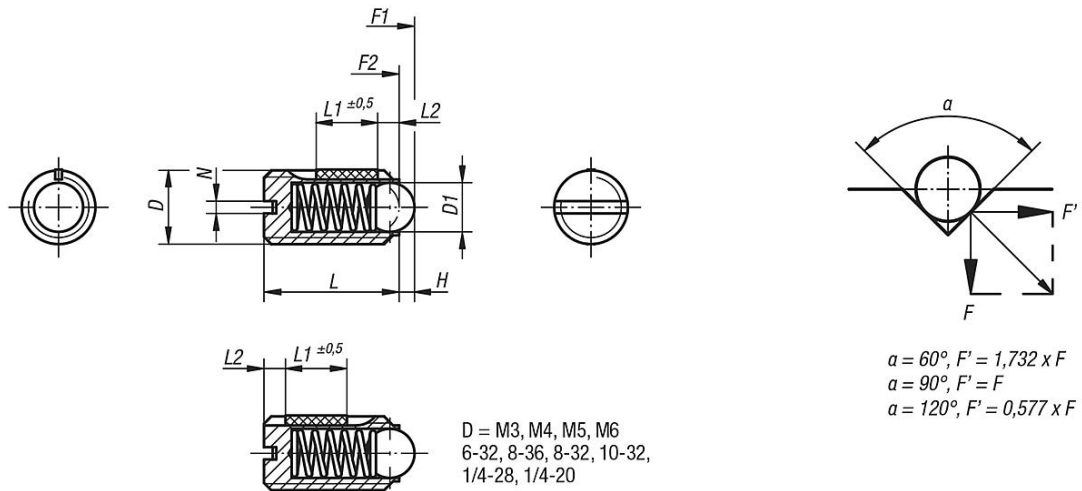
Version:

Black oxidized. Ball hardened.

Drawing reference:

L2 = approx. 2x thread pitch

Drawings



Item No.	D	D1	H	L	L1	N	Spring force initial pressure F1 approx. N	Spring force final pressure F2 approx. N	Tightening torque approx. Nm	Loosening torque approx. Nm
K0321.03	M3	1,5	0,4	7	4	0,4	1,5	3	0,1	0,07
K0321.04	M4	2,5	0,8	9	5	0,6	4	10	0,18	0,12
K0321.05	M5	3	0,9	12	6	0,8	6	11	0,12	0,08
K0321.06	M6	3,5	1	14	7	1	9	13	0,43	0,21
K0321.08	M8	5	1,5	16	8	1,2	15	30	1,09	0,37
K0321.10	M10	6	2	19	9	1,6	20	40	1,36	0,62
K0321.12	M12	8	2,5	22	10	2	30	55	2,03	1,36
K0321.16	M16	10	3,5	24	14	2,5	65	125	3,95	2,95