

Mini Wings, external thread, inch

Item description/product images

INCH
Parts



Description

Product description:

This unique and technically superior product, brings advanced ergonomic design, durability, strength, optical appeal and precision performance to any application. These are the perfect solution where a sure and precise grip is required in a small space.

Material:

Black thermoplastic.

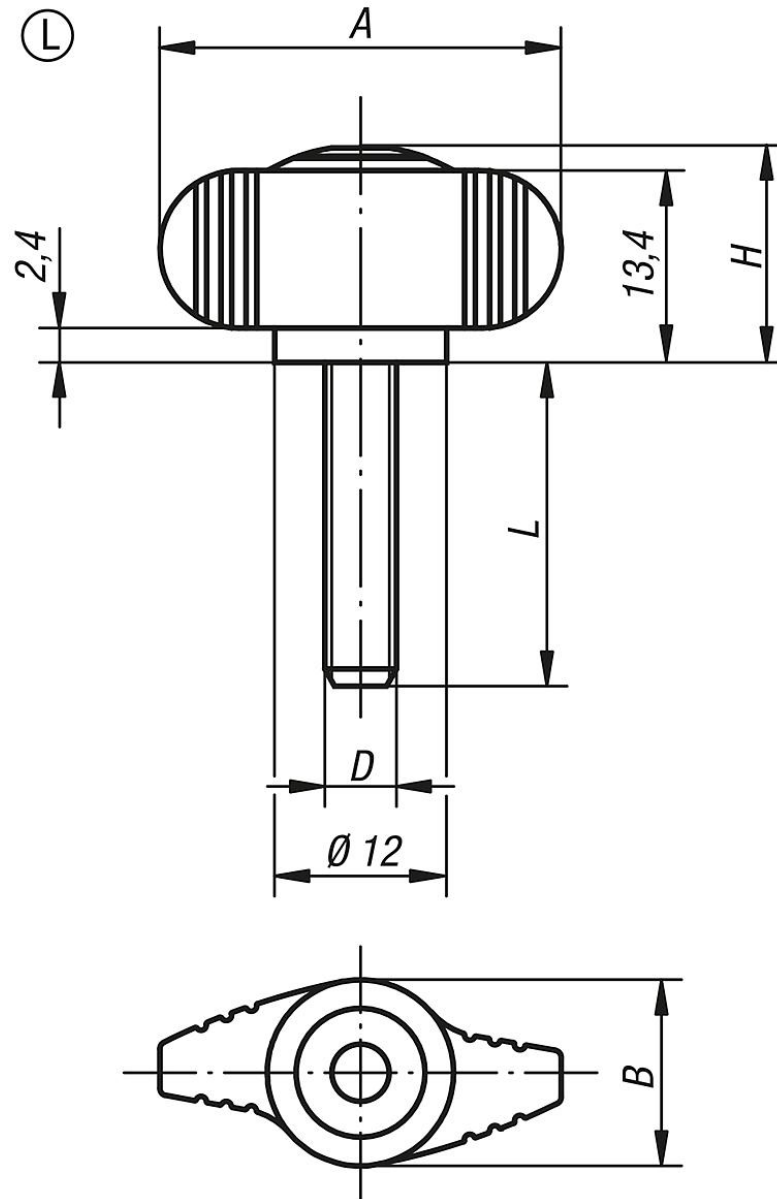
Screw grade 5.8 steel or 1.4305 (AISI 303 equivalent) stainless steel.

Version:

Steel trivalent blue passivated, stainless steel bright.

Mini Wings, external thread, inch

Drawings



| Order No. | style | Component material | A | B | D | H | L |
|---------------|-------|--------------------|----|---|---------|---|----|
| K0274.0AEX10 | L | steel | 28 | - | 8-32 | - | 10 |
| K0274.0AEX20 | L | steel | 28 | - | 8-32 | - | 20 |
| K0274.0A1X10 | L | steel | 28 | - | 10-32 | - | 10 |
| K0274.0A1X20 | L | steel | 28 | - | 10-32 | - | 20 |
| K0274.0A2X20 | L | steel | 28 | - | 1/4-20 | - | 20 |
| K0274.0A2X30 | L | steel | 28 | - | 1/4-20 | - | 30 |
| K0274.0A3X20 | L | steel | 28 | - | 5/16-18 | - | 20 |
| K0274.0A3X40 | L | steel | 28 | - | 5/16-18 | - | 40 |
| K0274.00AEX10 | L | stainless steel | 28 | - | 8-32 | - | 10 |
| K0274.00AEX20 | L | stainless steel | 28 | - | 8-32 | - | 20 |
| K0274.00A1X10 | L | stainless steel | 28 | - | 10-32 | - | 10 |
| K0274.00A1X20 | L | stainless steel | 28 | - | 10-32 | - | 20 |
| K0274.00A2X20 | L | stainless steel | 28 | - | 1/4-20 | - | 20 |
| K0274.00A2X30 | L | stainless steel | 28 | - | 1/4-20 | - | 30 |
| K0274.00A3X20 | L | stainless steel | 28 | - | 5/16-18 | - | 20 |

Mini Wings, external thread, inch

| Order No. | style | Component material | A | B | D | H | L |
|---------------|-------|--------------------|----|---|---------|---|----|
| K0274.00A3X40 | L | stainless steel | 28 | - | 5/16-18 | - | 40 |