

Adjustable Handles, Modern Design Style, with external thread, components in steel, inch

Item description/product images

INCH
Parts



Description

Material:

Handle fiberglass reinforced plastic with die-cast zinc toothed ring.
Steel parts grade 5.8.

Version:

Steel parts black oxidized.

On request:

Other threads, screw lengths and special versions.
Dimension "H1" available in other lengths at extra charge.

Drawing reference:

1) flat point DIN EN ISO 4753

K0269 Inch



Adjustable Handles, Modern Design Style, with external thread, components in steel, inch

Item description/product images

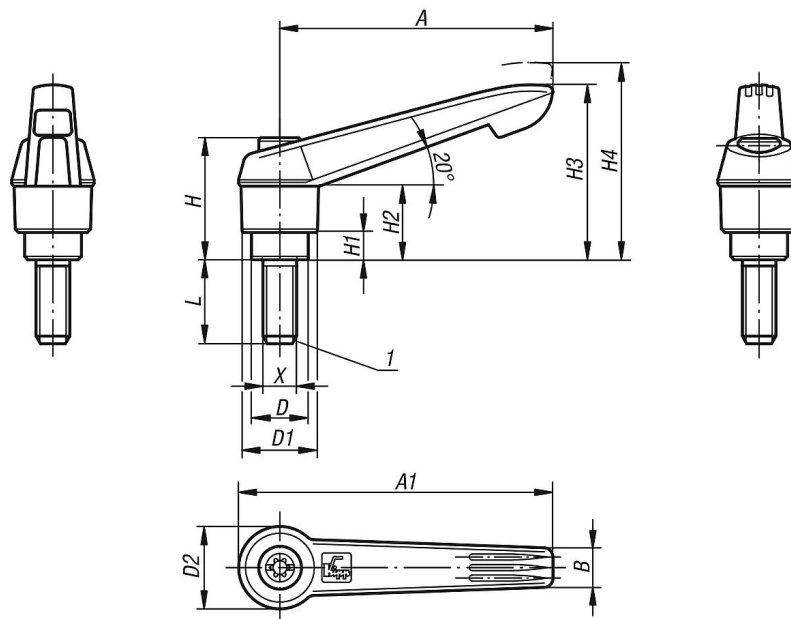


Adjustable Handles, Modern Design Style, with external thread, components in steel, inch

Item description/product images



Drawings



Adjustable Handles, Modern Design Style, with external thread, components in steel, inch

Order No.	Size	X	D	D1	D2	H	H1	H2	H3	H4	A	A1	B	No. of teeth	L
K0269.1A0ΔX	1	10-24	10	13	14,5	24,5	4	15	30	33,5	40	47	7,5	16	10/15/20/25/30/35/40/45/50
K0269.1A1ΔX	1	10-32	10	13	14,5	24,5	4	15	30	33,5	40	47	7,5	16	10/15/20/25/30/35/40/45/50
K0269.1A2ΔX	1	1/4-20	10	13	14,5	24,5	4	15	30	33,5	40	47	7,5	16	10/15/20/25/30/35/40/45/50
K0269.2A2ΔX	2	1/4-20	13,5	18	19,5	28,5	6,5	17,5	41,5	45,5	65	75	9,5	20	15/20/25/30/35/40/45/50/55/60
K0269.2A3ΔX	2	5/16-18	13,5	18	19,5	28,5	6,5	17,5	41,5	45,5	65	75	9,5	20	15/20/25/30/35/40/45/50/55/60
K0269.2A4ΔX	2	3/8-16	13,5	18	19,5	28,5	6,5	17,5	41,5	45,5	65	75	9,5	20	15/20/25/30/35/40/45/50/55/60
K0269.3A3ΔX	3	5/16-18	16	21,5	23	37	10	24	53,5	58	80	91,5	11	22	15/20/25/30/35/40/45/50/55/60
K0269.3A4ΔX	3	3/8-16	16	21,5	23	37	10	24	53,5	58	80	91,5	11	22	15/20/25/30/35/40/45/50/55/60
K0269.4A4ΔX	4	3/8-16	19	25,5	27,5	43	10	26	61	66	95	109	13	24	20/25/30/35/40/45/50/55/60/70/80/90

Adjustable Handles, Modern Design Style, with external thread, components in steel, inch

Order No.	Size	X	D	D1	D2	H	H1	H2	H3	H4	A	A1	B	No. of teeth	L
K0269.4A5ΔX	4	1/2-13	19	25,5	27,5	43	10	26	61	66	95	109	13	24	20/25/30/35/40/45/50/55/60/70/80/90
K0269.5A5ΔX	5	1/2-13	23	30	32,5	49	12	33	72	77	110	126	15,5	26	25/30/35/40/45/50/55/60/70/80/90
K0269.5A6ΔX	5	5/8-11	23	30	32,5	49	12	33	72	77	110	126	15,5	26	25/30/35/40/45/50/55/60/70/80/90