

Adjustable Handles, Modern Design Style “Novo-Grip”, with internal thread, components in steel, metric

Item description/product images

METRIC Parts



Description

Material:

Handle fiberglass reinforced plastic with die-cast zinc toothed ring.
Steel parts grade 5.8.

Version:

Steel parts black oxidized.

On request:

Other threads and special versions.
Dimension “H1” available in other lengths at extra charge.

K0269 Metric



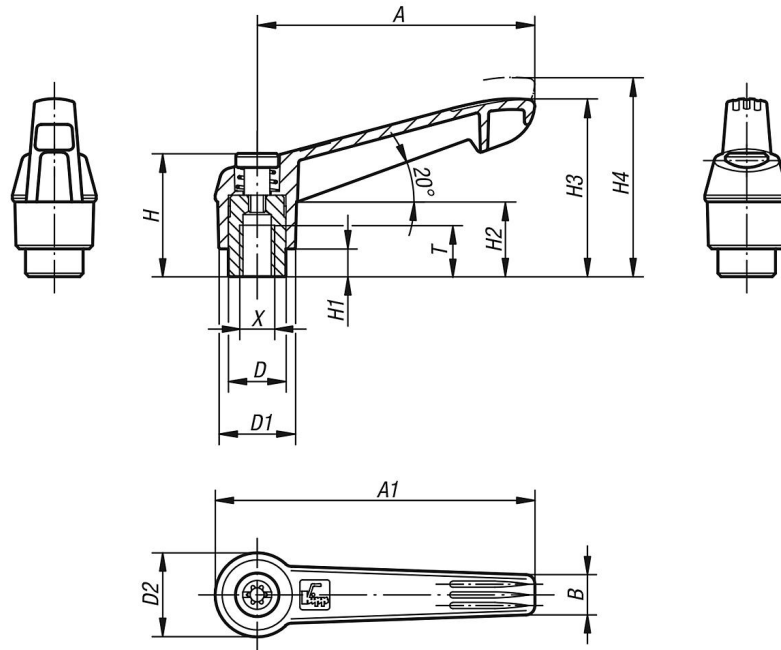
Adjustable Handles, Modern Design Style “Novo-Grip”, with internal thread, components in steel, metric

Item description/product images



Adjustable Handles, Modern Design Style “Novo-Grip”, with internal thread, components in steel, metric

Drawings



Item No.	X	A	A1	B	D	D1	D2	H	H1	H2	H3	H4	T	No. of teeth
K0269.104Δ	M4	40	47	7,5	10	13	14,5	24,5	4	15	30	33,5	9	16
K0269.105Δ	M5	40	47	7,5	10	13	14,5	24,5	4	15	30	33,5	9	16
K0269.106Δ	M6	40	47	7,5	10	13	14,5	24,5	4	15	30	33,5	9	16
K0269.206Δ	M6	65	75	9,5	13,5	18	19,5	28,5	6,5	17,5	41,5	45,5	12	20
K0269.208Δ	M8	65	75	9,5	13,5	18	19,5	28,5	6,5	17,5	41,5	45,5	12	20
K0269.308Δ	M8	80	91,5	11	16	21,5	23	37	10	24	53,5	58	14	22
K0269.310Δ	M10	80	91,5	11	16	21,5	23	37	10	24	53,5	58	14	22
K0269.410Δ	M10	95	109	13	19	25,5	27,5	43	10	26	61	66	17	24
K0269.412Δ	M12	95	109	13	19	25,5	27,5	43	10	26	61	66	17	24
K0269.512Δ	M12	110	126	15,5	23	30	32,5	49	12	33	72	77	23	26
K0269.516Δ	M16	110	126	15,5	23	30	32,5	49	12	33	72	77	23	26