

## Star Grips steel parts in stainless steel similar to DIN 6336, Style K, metric

Item description/product images



### Description

**Material:**

Black thermoplastic, bushing in stainless steel X 10 CrNiS 18 9 = 1.4305

**Version:**

bushing bright.

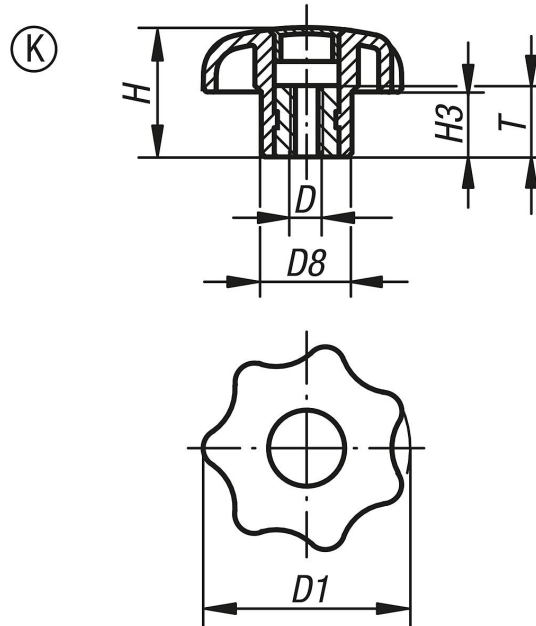
**On request:**

Other colors or designs, such as company logo.

**Drawing reference:**

Style K: tapped blind hole with cap

### Drawings



Item No.	style	D	D1	D8	H	H3	T
K0154.205Δ	K	M5	25	12	16	8	10
K0154.206Δ	K	M6	32	14	20	10	10
K0154.208Δ	K	M8	40	18	25	13	14
K0154.210Δ	K	M10	50	22	32	17	14
K0154.212Δ	K	M12	63	26	40	21	18