

Pin Retaining Rings stainless steel

Item description/product images



Description

Material:

Stainless steel 1.4310 (AISI 301 equivalent).

Version:

Bright.

Note:

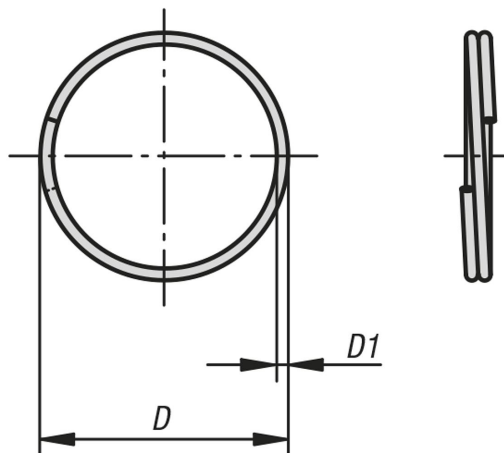
Suitable for retaining cable with loop K0367.

Ball lock pins K0363, K0364, K0641, K0366, K0642, K0790, K0791.

Locking pins K0365.

Indexing plungers K0342, K0635, K0636.

Drawings



Pin Retaining Rings, metric

Item No.	D	D1
K0367.15	15	1.0
K0367.19	19	1.0
K0367.23	23	1.2
K0367.28	28	1.7

