

# Spring Plungers push fit stainless steel

## Item description/product images



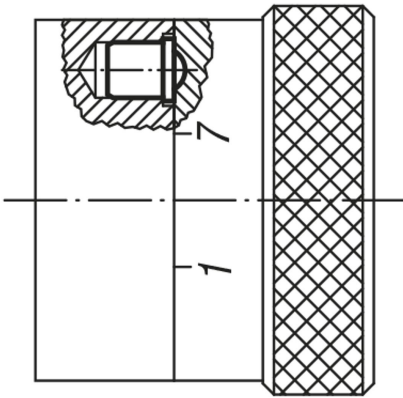
### Description

**Material:**

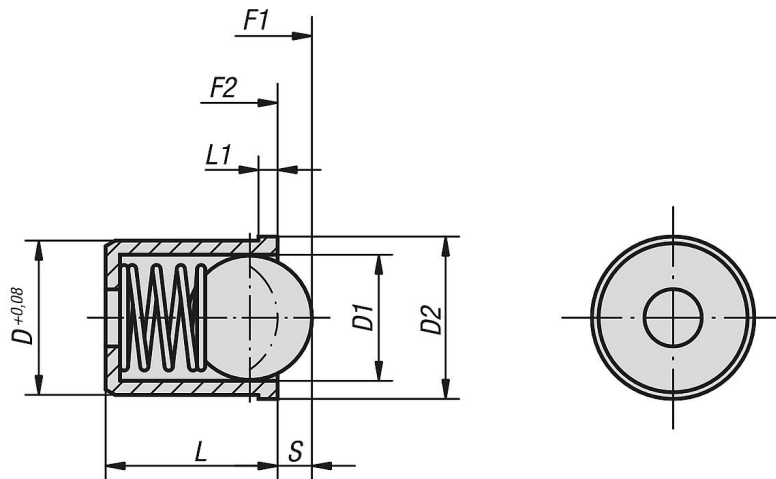
body and spring stainless steel.  
Ball stainless steel or POM.

**Version:**

body bright.  
Steel ball hardened and bright.



## Drawings



### Spring Plungers, push fit, stainless steel ball, metric

Item No.	Ball	D	D1	D2	L	L1	Travel S	Spring force initial pressure F1 approx. N	Spring force final pressure F2 approx. N
K0333.04	stainless steel	4	3	4,6	5	1	0,8	3	7

## Spring Plungers push fit stainless steel

Item No.	Ball	D	D1	D2	L	L1	Travel S	Spring force initial pressure F1 approx. N	Spring force final pressure F2 approx. N
<b>K0333.05</b>	stainless steel	5	4	5,6	6	1	1	4	7
<b>K0333.06</b>	stainless steel	6	5	6,5	7	1	1,5	6	12
<b>K0333.08</b>	stainless steel	8	6,5	8,5	9	1	1,8	6	12
<b>K0333.10</b>	stainless steel	10	8	12	13,5	2,5	2,7	10	20
<b>K0333.12</b>	stainless steel	12	10	14	16	2,5	3,5	15	25

## Spring Plungers, push fit, POM ball, metric

Item No.	Ball	D	D1	D2	L	L1	Travel S	Spring force initial pressure F1 approx. N	Spring force final pressure F2 approx. N
<b>K0333.304</b>	POM	4	3	4,6	5	1	0,6	3	7
<b>K0333.305</b>	POM	5	4	5,6	6	1	0,8	4	7
<b>K0333.306</b>	POM	6	5	6,5	7	1	1,3	6	12
<b>K0333.308</b>	POM	8	6,5	8,5	9	1	1,6	6	12
<b>K0333.310</b>	POM	10	8	12	13,5	2,5	2,6	10	20
<b>K0333.312</b>	POM	12	10	14	16	2,5	3,3	15	25