

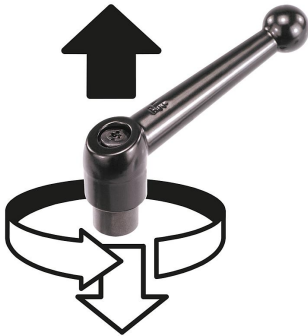
Adjustable Handles, Classic ball style, zinc inserts and internal components steel, internal thread, inch

Item description/product images

INCH
Parts



lift to
disengage



Description

Material:

Handle die-cast zinc DIN EN 12844.

Steel parts grade 5.8.

Version:

Handle powder-coated.

Steel parts black oxidized.

Note:

Standard colors are:

black satin finish, silver metallic.

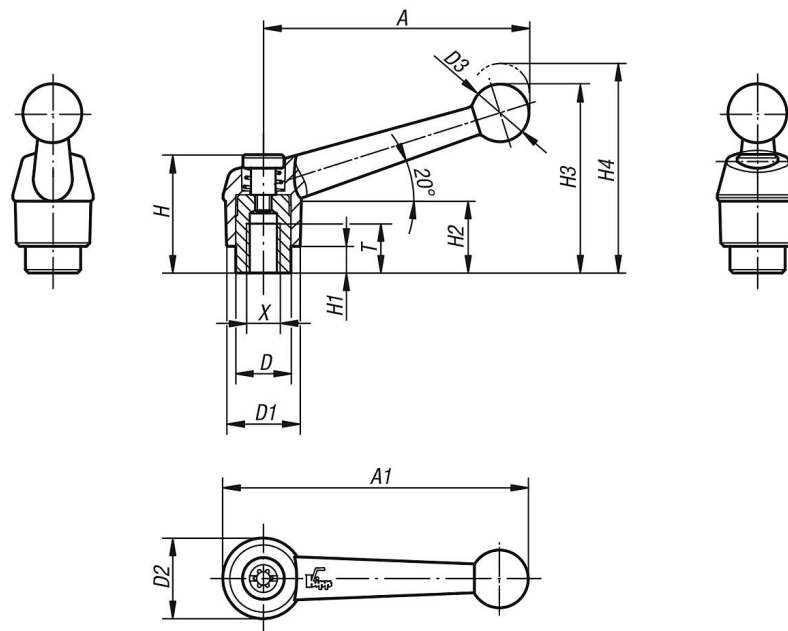
On request:

Other threads, colors and special versions.

Dimension "H1" available in other lengths at extra charge.

Adjustable Handles, Classic ball style, zinc inserts and internal components steel, internal thread, inch

Drawings



Order No.	Main color	Size	X	T	D	D1	D2	D3	H	H1	H2	H3	H4	A	A1	No. of teeth
K0116.1AE1	black	1	8-32	9	10	13	14	10,5	24,5	4	15	32,5	35,5	39	46	16
K0116.1A01	black	1	10-24	9	10	13	14	10,5	24,5	4	15	32,5	35,5	39	46	16
K0116.1A11	black	1	10-32	9	10	13	14	10,5	24,5	4	15	32,5	35,5	39	46	16
K0116.1A21	black	1	1/4-20	9	10	13	14	10,5	24,5	4	15	32,5	35,5	39	46	16
K0116.2A21	black	2	1/4-20	12	13,5	18	18,5	15,5	28,5	6,5	16,5	45,5	49,5	64	73	20
K0116.2A31	black	2	5/16-18	12	13,5	18	18,5	15,5	28,5	6,5	16,5	45,5	49,5	64	73	20
K0116.3A31	black	3	5/16-18	14	16	21	22	17	37	10	23	57,5	61,5	79	90	22
K0116.3A41	black	3	3/8-16	14	16	21	22	17	37	10	23	57,5	61,5	79	90	22
K0116.4A41	black	4	3/8-16	17	19	25	26	19	42,5	10	26	67	72	95	108	24
K0116.4A51	black	4	1/2-13	17	19	25	26	19	42,5	10	26	67	72	95	108	24
K0116.5A51	black	5	1/2-13	23	23	30	31	22	49	12	32	79	84	110	126	26
K0116.5A61	black	5	5/8-11	23	23	30	31	22	49	12	32	79	84	110	126	26
K0116.1AE3	silver metallic	1	8-32	9	10	13	14	10,5	24,5	4	15	32,5	35,5	39	46	16
K0116.1A03	silver metallic	1	10-24	9	10	13	14	10,5	24,5	4	15	32,5	35,5	39	46	16
K0116.1A13	silver metallic	1	10-32	9	10	13	14	10,5	24,5	4	15	32,5	35,5	39	46	16
K0116.1A23	silver metallic	1	1/4-20	9	10	13	14	10,5	24,5	4	15	32,5	35,5	39	46	16
K0116.2A23	silver metallic	2	1/4-20	12	13,5	18	18,5	15,5	28,5	6,5	16,5	45,5	49,5	64	73	20
K0116.2A33	silver metallic	2	5/16-18	12	13,5	18	18,5	15,5	28,5	6,5	16,5	45,5	49,5	64	73	20
K0116.3A33	silver metallic	3	5/16-18	14	16	21	22	17	37	10	23	57,5	61,5	79	90	22
K0116.3A43	silver metallic	3	3/8-16	14	16	21	22	17	37	10	23	57,5	61,5	79	90	22
K0116.4A43	silver metallic	4	3/8-16	17	19	25	26	19	42,5	10	26	67	72	95	108	24
K0116.4A53	silver metallic	4	1/2-13	17	19	25	26	19	42,5	10	26	67	72	95	108	24
K0116.5A53	silver metallic	5	1/2-13	23	23	30	31	22	49	12	32	79	84	110	126	26
K0116.5A63	silver metallic	5	5/8-11	23	23	30	31	22	49	12	32	79	84	110	126	26