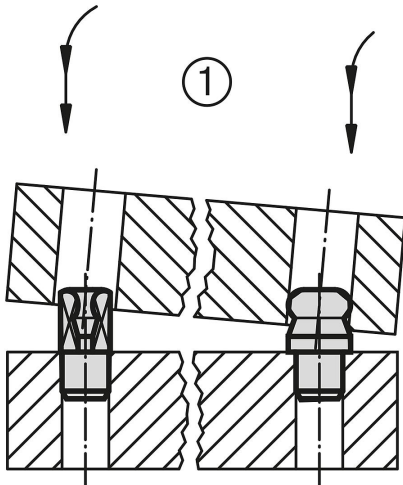


Locating Pins with ball end, Style B

Item description/product images



Description

Material:

Tool steel or stainless steel 1.4305 (AISI 303 equivalent).

Version:

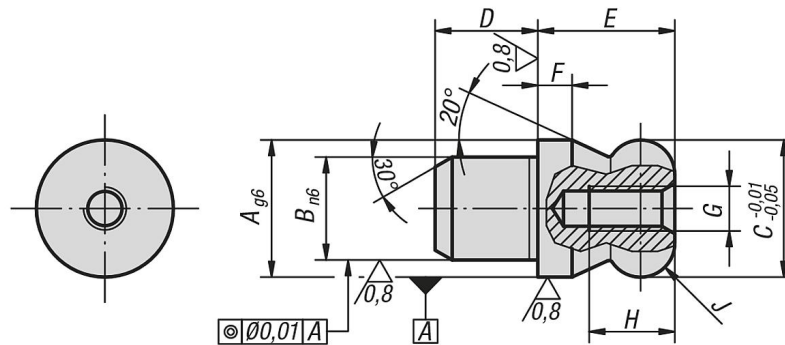
Steel hardened and ground.

Stainless steel ground and kolsterised.

Note:

Ball end locating pins are specially designed to ease the locating process. The tendency to jam, caused by the locating hole not being at right angles to the pin or by the pushing force not being parallel to the pin axis, is minimized by the ball-end style (see illustration).

Drawings



Order No. tool steel	Order No. stainless steel	A	B	C	D	E	F	G	H	J
K0351.10	K0351.510	10	7	10	7	10	2,5	M3	6	R 2,5
K0351.12	K0351.512	12	8	12	8	12	3	M4	8	R 3
K0351.16	K0351.516	16	12	16	12	16	4	M5	10	R 4
K0351.20	K0351.520	20	14	20	14	20	5	M5	10	R 5
K0351.22	-	22	16	22	16	22	5,5	M5	10	R 5,5
K0351.25	-	25	18	25	18	25	6	M5	10	R 6

