

## Spring Plungers LONG-LOK ball style, hexagon socket, steel, heavy end pressure, inch

Item description/product images

INCH  
Parts



### Description

**Material:**

body steel grade 5.8.  
Ball steel.  
Spring grade D steel wire.

LONG-LOK thread lock Nylon.

**Version:**

Black oxidized. Ball hardened.

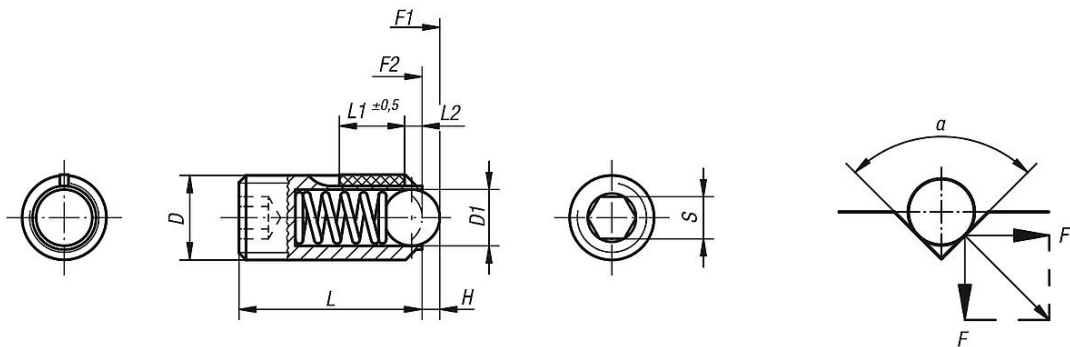
**Note:**

For the inch series, dimension D and S are in inches, all other dimensions are in mm.

**Drawing reference:**

L2 = approx. 2x thread pitch

### Drawings



$$\begin{aligned} \alpha = 60^\circ, F' &= 1,732 \times F \\ \alpha = 90^\circ, F' &= F \\ \alpha = 120^\circ, F' &= 0,577 \times F \end{aligned}$$

Item No.	D	D1	H	L	L1	S	Spring force initial pressure F1 approx. N	Spring force final pressure F2 approx. N	Tightening torque approx. Nm	Loosening torque approx. Nm
K0325.2AJ	1/4-28	3,5	1	15	7	1/8	28	40	0,44	0,21
K0325.2A2	1/4-20	3,5	1	15	7	1/8	28	40	0,44	0,21
K0325.2A3	5/16-18	5	1,5	18	8	5/32	47	73	1,1	0,38
K0325.2A4	3/8-16	6	2	23	9	3/16	66	100	1,3	0,6
K0325.2A5	1/2-13	8	2,5	26	10	7/32	66	120	2	1,3
K0325.2A6	5/8-11	10	3,5	33	14	5/16	90	180	3,9	3