

Star Grips similar to DIN 6336, Style L, inch

Item description/product images

INCH
Parts



Description

Material:

Black thermoplastic, threaded bolt in steel

Version:

Screw trivalent blue passivated.

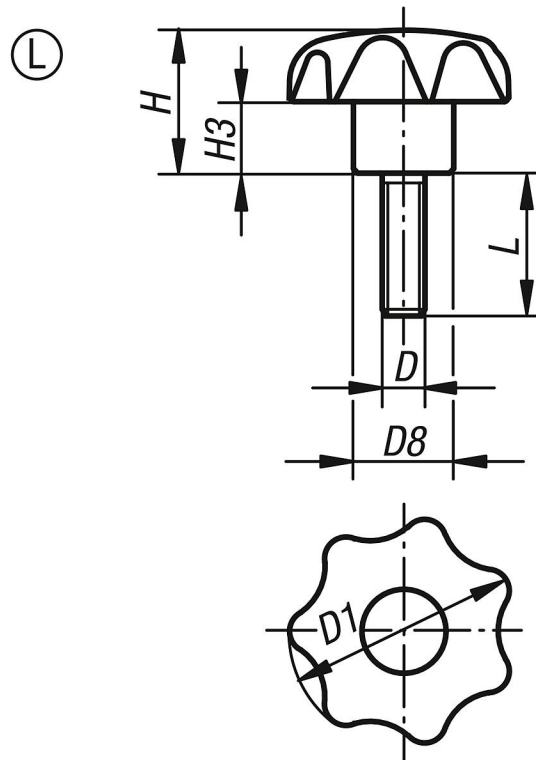
On request:

Other colors or designs, such as company logo.

Drawing reference:

Style L: with external thread

Drawings



Item No.	style	D	D1	D8	H	H3	L
K0155.4A1ΔX	L	10-32	25	12	16	8	10/20
K0155.4A2ΔX	L	1/4-20	25	12	16	8	20/30
K0155.4A21ΔX	L	1/4-20	32	14	20	10	20/30
K0155.4A3ΔX	L	5/16-18	32	14	20	10	20/40
K0155.4A31ΔX	L	5/16-18	40	18	25	13	20/40
K0155.4A4ΔX	L	3/8-16	40	18	25	13	20/40
K0155.4A41ΔX	L	3/8-16	50	22	32	17	20/40
K0155.4A5ΔX	L	1/2-13	50	22	32	17	30/60
K0155.4A42ΔX	L	3/8-16	63	26	40	21	20/40
K0155.4A51ΔX	L	1/2-13	63	26	40	21	30/60

