

Star Grips steel parts in stainless steel similar to DIN 6336, Style K, inch

Item description/product images



Description

Material:

Black thermoplastic, bushing in stainless steel X 10 CrNiS 18 9 = 1.4305

Version:

bushing bright.

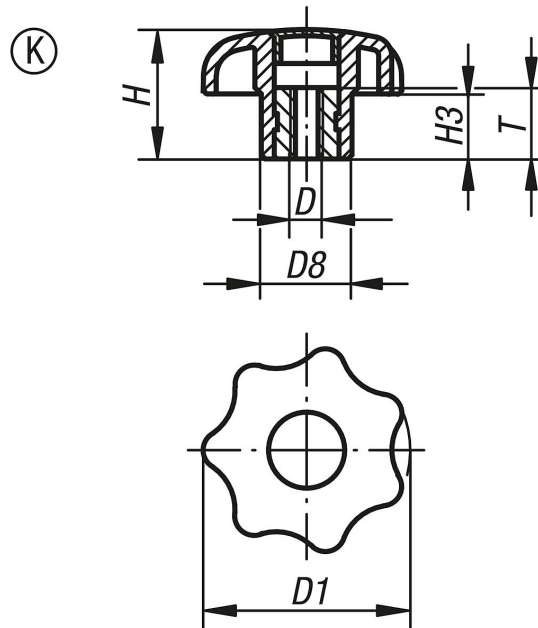
On request:

Other colors or designs, such as company logo.

Drawing reference:

Style K: tapped blind hole with cap

Drawings



Order No.	color Cap	style	D	D1	D8	H	H3	T
K0154.2A1	black gray RAL 7021	K	10-32	25	12	16	8	10
K0154.2A15	light gray RAL 7035	K	10-32	25	12	16	8	10
K0154.2A16	traffic red RAL 3020	K	10-32	25	12	16	8	10
K0154.2A17	colza yellow RAL 1021	K	10-32	25	12	16	8	10
K0154.2A2	black gray RAL 7021	K	1/4-20	32	14	20	10	10
K0154.2A25	light gray RAL 7035	K	1/4-20	32	14	20	10	10
K0154.2A26	traffic red RAL 3020	K	1/4-20	32	14	20	10	10
K0154.2A27	colza yellow RAL 1021	K	1/4-20	32	14	20	10	10
K0154.2A3	black gray RAL 7021	K	5/16-18	40	18	25	13	14
K0154.2A35	light gray RAL 7035	K	5/16-18	40	18	25	13	14
K0154.2A36	traffic red RAL 3020	K	5/16-18	40	18	25	13	14
K0154.2A37	colza yellow RAL 1021	K	5/16-18	40	18	25	13	14
K0154.2A4	black gray RAL 7021	K	3/8-16	50	22	32	17	14
K0154.2A45	light gray RAL 7035	K	3/8-16	50	22	32	17	14
K0154.2A46	traffic red RAL 3020	K	3/8-16	50	22	32	17	14

Star Grips steel parts in stainless steel similar to DIN 6336, Style K, inch

Order No.	color Cap	style	D	D1	D8	H	H3	T
K0154.2A47	colza yellow RAL 1021	K	3/8-16	50	22	32	17	14
K0154.2A5	black gray RAL 7021	K	1/2-13	63	26	40	21	18
K0154.2A55	light gray RAL 7035	K	1/2-13	63	26	40	21	18
K0154.2A56	traffic red RAL 3020	K	1/2-13	63	26	40	21	18
K0154.2A57	colza yellow RAL 1021	K	1/2-13	63	26	40	21	18