

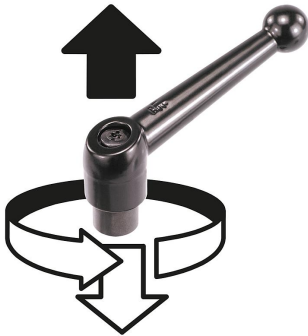
Adjustable Handles, Classic ball style, zinc inserts and internal components steel, internal thread, metric

Item description/product images

METRIC
Parts



lift to
disengage



Description

Material:

Handle die-cast zinc DIN EN 12844.

Steel parts grade 5.8.

Version:

Handle powder-coated.

Steel parts black oxidized.

Note:

Standard colors are:

black satin finish, silver metallic.

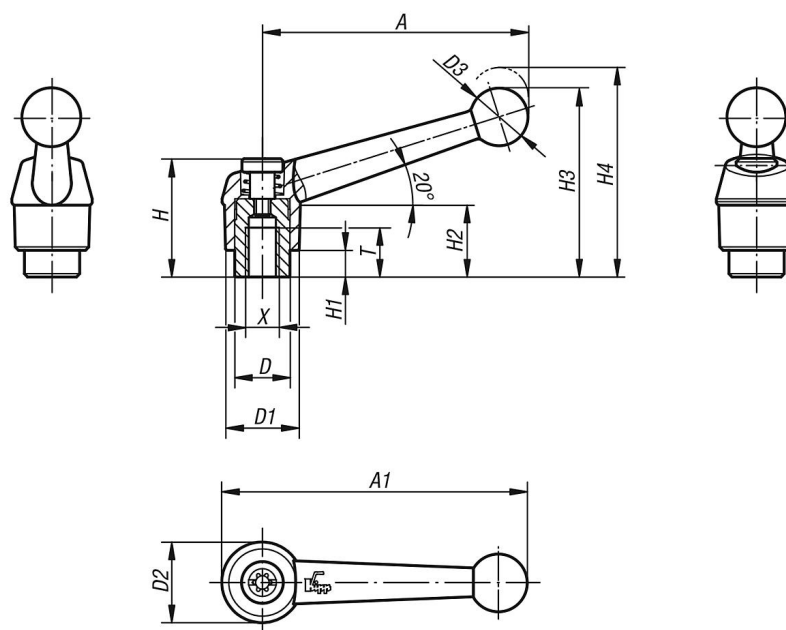
On request:

Other threads, colors and special versions.

Dimension "H1" available in other lengths at extra charge.

Adjustable Handles, Classic ball style, zinc inserts and internal components steel, internal thread, metric

Drawings



Order No.	Main color	Size	X	T	D	D1	D2	D3	H	H1	H2	H3	H4	A	A1	No. of teeth
K0116.1041	black	1	M4	9	10	13	14	10,5	24,5	4	15	32,5	35,5	39	46	16
K0116.1051	black	1	M5	9	10	13	14	10,5	24,5	4	15	32,5	35,5	39	46	16
K0116.1061	black	1	M6	9	10	13	14	10,5	24,5	4	15	32,5	35,5	39	46	16
K0116.2061	black	2	M6	12	13,5	18	18,5	15,5	28,5	6,5	16,5	45,5	49,5	64	73	20
K0116.2081	black	2	M8	12	13,5	18	18,5	15,5	28,5	6,5	16,5	45,5	49,5	64	73	20
K0116.3081	black	3	M8	14	16	21	22	17	37	10	23	57,5	61,5	79	90	22
K0116.3101	black	3	M10	14	16	21	22	17	37	10	23	57,5	61,5	79	90	22
K0116.4101	black	4	M10	17	19	25	26	19	42,5	10	26	67	72	95	108	24
K0116.4121	black	4	M12	17	19	25	26	19	42,5	10	26	67	72	95	108	24
K0116.5121	black	5	M12	23	23	30	31	22	49	12	32	79	84	110	126	26
K0116.5161	black	5	M16	23	23	30	31	22	49	12	32	79	84	110	126	26
K0116.1043	silver metallic	1	M4	9	10	13	14	10,5	24,5	4	15	32,5	35,5	39	46	16
K0116.1053	silver metallic	1	M5	9	10	13	14	10,5	24,5	4	15	32,5	35,5	39	46	16
K0116.1063	silver metallic	1	M6	9	10	13	14	10,5	24,5	4	15	32,5	35,5	39	46	16
K0116.2063	silver metallic	2	M6	12	13,5	18	18,5	15,5	28,5	6,5	16,5	45,5	49,5	64	73	20
K0116.2083	silver metallic	2	M8	12	13,5	18	18,5	15,5	28,5	6,5	16,5	45,5	49,5	64	73	20
K0116.3083	silver metallic	3	M8	14	16	21	22	17	37	10	23	57,5	61,5	79	90	22
K0116.3103	silver metallic	3	M10	14	16	21	22	17	37	10	23	57,5	61,5	79	90	22
K0116.4103	silver metallic	4	M10	17	19	25	26	19	42,5	10	26	67	72	95	108	24
K0116.4123	silver metallic	4	M12	17	19	25	26	19	42,5	10	26	67	72	95	108	24
K0116.5123	silver metallic	5	M12	23	23	30	31	22	49	12	32	79	84	110	126	26
K0116.5163	silver metallic	5	M16	23	23	30	31	22	49	12	32	79	84	110	126	26