

Spring Plungers ball style, slotted, steel, standard end pressure, inch

Item description/product images



handle indexing

Description

Material:

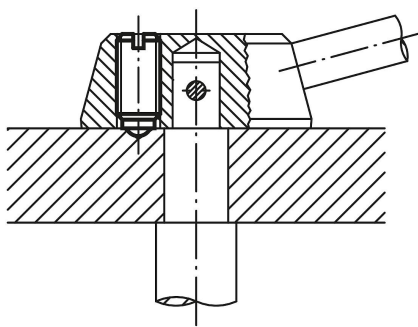
body steel grade 5.8.
Ball steel.
Spring grade D steel wire.

Version:

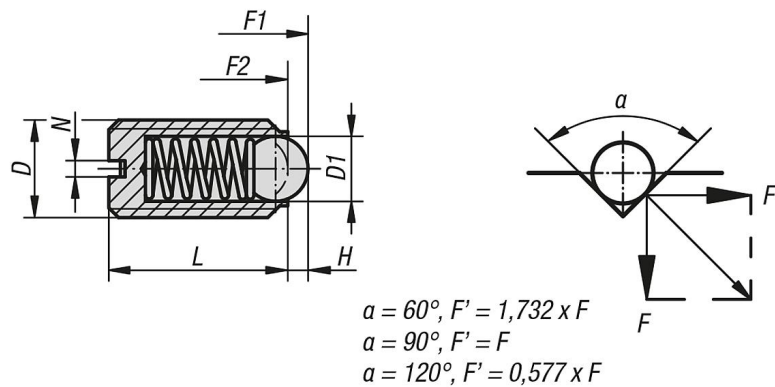
Black oxidized. Ball hardened.

Note:

For the inch series, dimension D is in inches, all other dimensions are in mm.



Drawings



Item No.	D	D1	L	H	N	Spring force initial pressure F1 approx. N	Spring force final pressure F2 approx. N
K0309.AD	6-32	1,5	7	0,4	0,4	1,5	3
K0309.AG	8-36	2,5	9	0,8	0,6	4	10
K0309.AE	8-32	2,5	9	0,8	0,6	4	10
K0309.A1	10-32	3	12	0,9	0,8	6	11
K0309.AJ	1/4-28	3,5	14	1	1	9	13
K0309.A2	1/4-20	3,5	14	1	1	9	13
K0309.A3	5/16-18	5	16	1,5	1,2	15	30
K0309.A4	3/8-16	6	19	2	1,6	20	40
K0309.A5	1/2-13	8	22	2,5	2	30	55
K0309.A6	5/8-11	10	24	3,5	2,5	65	125

