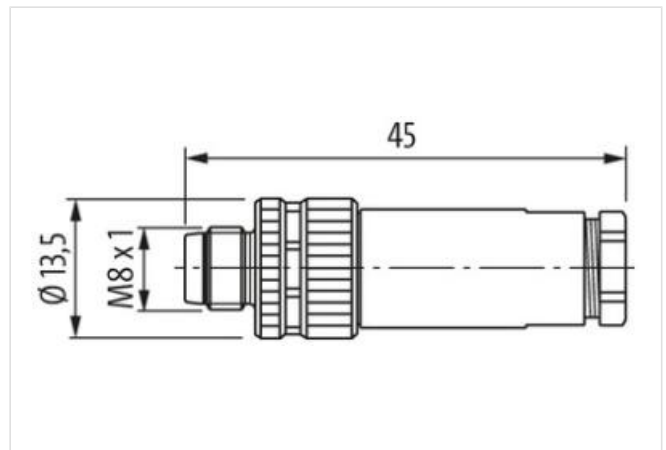
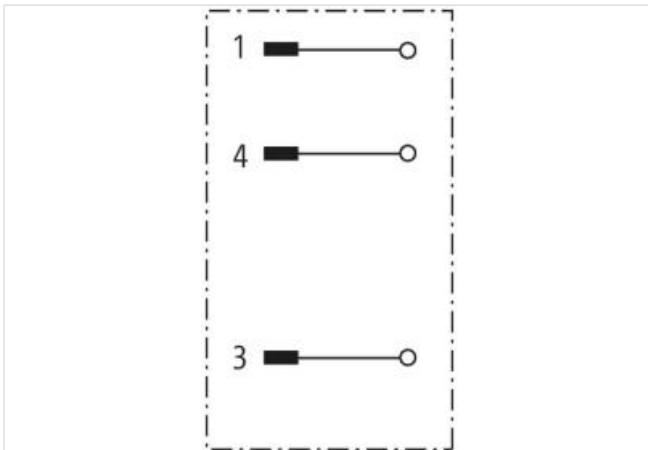
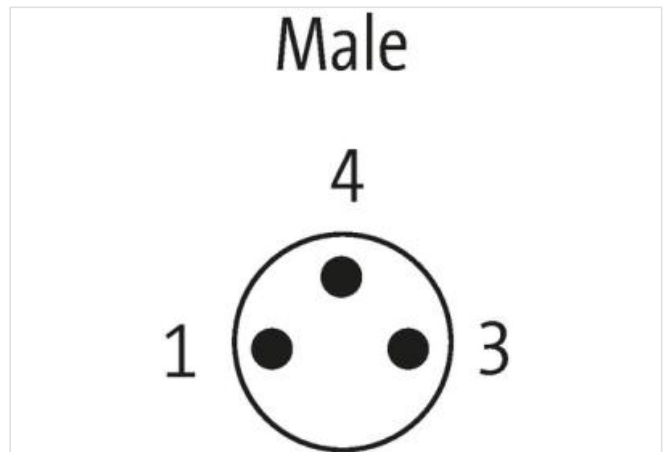


M8 male 0° A-cod. screw terminal3-pol., 0,14 - 0,5mm², 2,5 - 5mm

Male straight

M8, 3-pole

Screw terminal

Connection cross section: 0.14...0.5 mm²[Link to Product](#)**Illustration**

Product may differ from Image

**Form**

Form 08601

Technical Data

Operating voltage	max. 50 V AC/60 V DC
Operating current per contact	max. 4 A
No. of poles	3-pole
Material group	III

The information in this brochure has been compiled with the utmost care.

Liability for the correctness completeness and topicality of the information is restricted to gross negligence. Version: 2022-08-19

Murrelektronik GmbH | Falkenstraße 3 | 71570 Oppenweiler | Fon +49 (71 91) 47-0 | Fax +49 (71 91) 47-491000 | shop@murrelektronik.com | shop.murrelektronik.com

Coding	A-coded
Compression gland	M8 (AF12,5)
Connection	Screw terminal
Connection cross section	0.14...0.5 mm ²
Sealing range (cable Ø)	2.5...5.0 mm
Protection	IP67 inserted and tightened (EN 60529)
Isolation resistance	> 100 MOhm
Over voltage category	II

General data

Material (contact)	Brass, gold plated
Pollution Degree	3
Temperature range	-40...+85 °C
Material (housing)	PBT
Material (contact carrier)	PA66
Dimensions H×W×D	45x13,5x13,5 mm