

FEATURES

- Steel structure, coated with an epoxy polyester powder
- IP66 rating
- Enclosure and the door is made from sheet steel
- Fully wall mountable
- Pebble grey finish

RS PRO Wall Boxes- Steel Wall Box

RS Stock No.: 775-5791



RS Professionally Approved Products bring to you professional quality parts across all product categories. Our product range has been tested by engineers and provides a comparable quality to the leading brands without paying a premium price.

Product Description

RS Pro IP66 Sheet Steel Wall Boxes

From RS Pro, a range of incredibly useful steel wall mounted enclosures. Enclosures are present in almost every industry and can store all manor of items, such as medical equipment or electronics. These boxes are rated at IP66 and provide an excellent degree of protection, whether it's used within an indoor or outdoor environment. With various sizes available, they are suitable for a wide selection of applications. All models are highly reliable and excellent quality.

General Specifications

Body Material	Steel
Number Of Doors	1
Colour	Grey
RAL Code	RAL7032
Gland Plate	Yes
Door Lock Type	Single Lock System
Chassis Plate	Yes
Transparent Door	No
Fixing Kit	Yes
Application	Electrical, Electronic, Industrial
External Mounting Type	Bracket
Internal Mounting Type	Panel
Special Features	IK10 Against Mechanical Impacts
For Protection Of	Sensitive electrical equipment

Mechanical Specifications

External Height	300 mm
External Depth	150 mm
External Width	300 mm
Dimensions	H 3200 mm x D 150 mm x W 2300 mm
Thickness	Enclosure & door 1.2mm or 1.5mm sheet steel

Protection Category

IP Rating	IP66
-----------	------

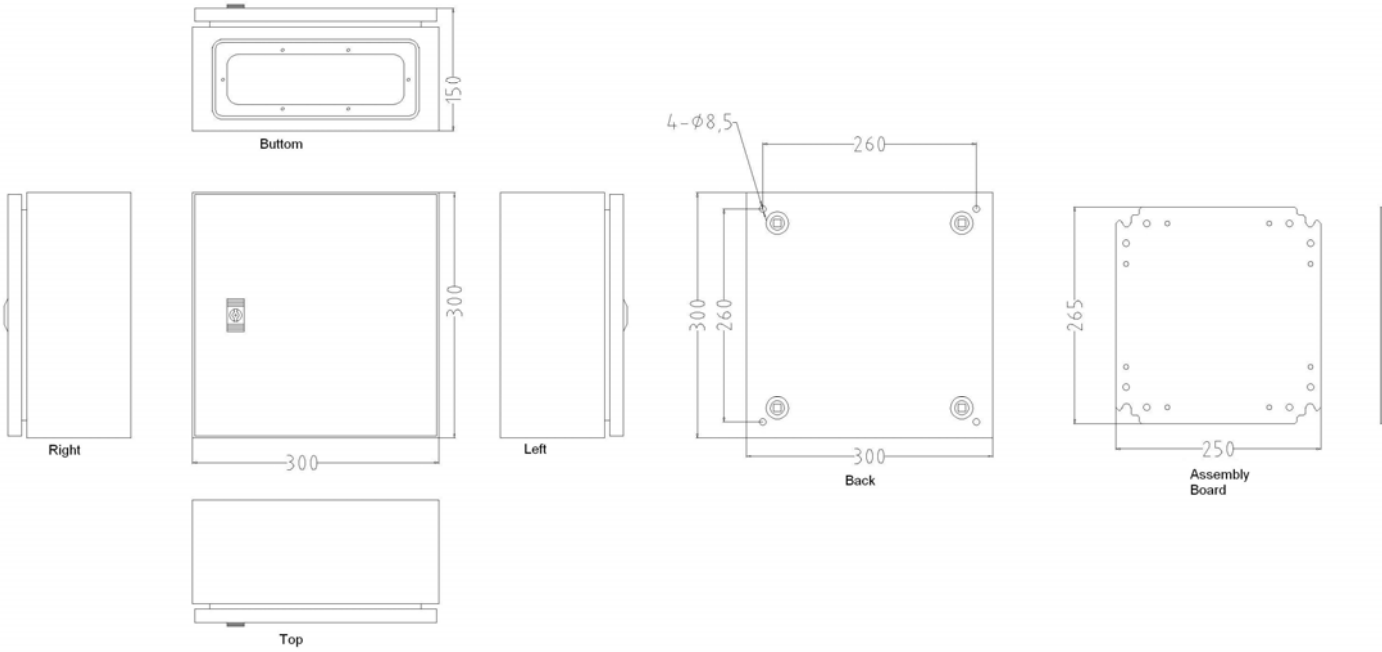
Approvals

Declarations	RoHS Certificate of Compliance
--------------	--------------------------------

Similar Products

Stock No.	Brand	Product Name	Colour	Body Material	Dimensions
189-6587	RS PRO	Steel Wall Box	Grey	Steel	250 mm x 200 mm x 150 mm
775-5381	RS PRO	Steel Wall Box	Grey	Steel	1200 mm x 800 mm x 300 mm

Mild Steel IP66 Wall Box, 300x300x150mm



unit: +/-0.5mm

