

EPIC® H-B 6 TS

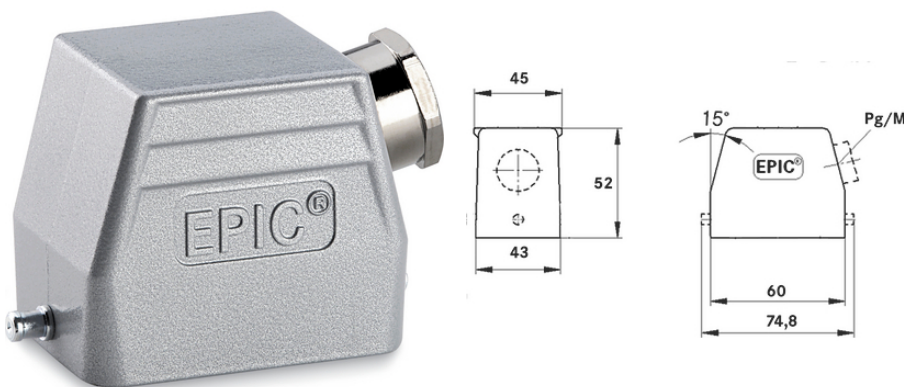
Housing design H-B. The industry standard.

The universal robust housing for rectangular connectors has a side cable entry, pivots for a single lever and can be used, for example, in control systems.

Info

Non-slip ridges for comfortable disconnecting

Protection rating UL50E tested



Supplementary automation components from Lapp



Mechanical and plant engineering



Mechanical resistance



Robust



Waterproof

Benefits

The smallest housing out of the H-B series. For inserts with high electrical properties

Application range

Plant engineering
Control engineering
Plastics industry

Product features

Last Update (14.04.2022)

©2022 Lapp Group - Technical changes reserved

Product Management www.lappkabel.de

You can find the current technical data in the corresponding data sheet.

PN 0456 / 02_03.16

EPIC® H-B 6 TS

Hood, low version
Bolts for single lever
Side cable entry
Versions with neck

Technical Data

Classification ETIM 5:	ETIM 5.0 Class-ID: EC000437 ETIM 5.0 Class-Description: Housing for industrial connectors
Classification ETIM 6:	ETIM 6.0 Class-ID: EC000437 ETIM 6.0 Class-Description: Housing for industrial connectors
Material:	Housing: powder-coated aluminium alloy, grey Bolts: steel, coated
Protection rating:	IP 65 (latched) NEMA 250, UL50E: 12, 4 (latched)
VDE-tested:	Certified production control: VDE-REG. no.: B437 UL-tested: UL File Number: E75770
Temperature range:	-40 °C to +100 °C, short-term up to +125 °C

Note

Photographs and graphics are not to scale and do not represent detailed images of the respective products.
Prices are net prices without VAT and surcharges. Sale to business customers only.

EPIC® H-B 6 TS

Article number	Article description	M	PG	Neck	Pieces / PU
H-B housing: hood (side cable entry, bolts for single lever)					
10012000	H-B 6 TS 13,5	-	13.5	yes	10
10022000	H-B 6 TS 16	-	16	yes	10
19012000	H-B 6 TS M20	20	-	yes	10
19022000	H-B 6 TS M25	25	-	yes	10

Last Update (14.04.2022)

©2022 Lapp Group - Technical changes reserved

Product Management www.lappkabel.de

You can find the current technical data in the corresponding data sheet.
PN 0456 / 02_03_16